

Suction plate (round)

<https://www.schmalz.com/10.01.01.01135>



SPU 300 SI-60 G1/2-IG

Part no.: 10.01.01.01135

Homepage > Vacuum Technology for Automation > Vacuum Components > Vacuum Suction Cups > Flat Suction Cups (Round) > Suction Plates

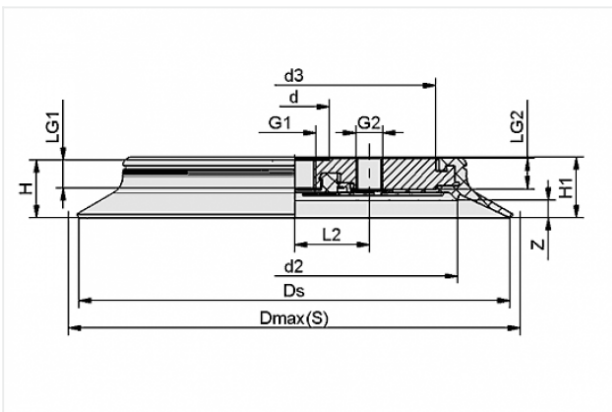
SPU > SPU 300 SI-60 G1/2-IG

Suction plate (round), universal, for smooth and slightly rough surfaces



Size: 300
Suction cup material: Silicone SI
Material hardness: 60 °Sh
Vacuum connection: G1/2-F

Design Data



Attribute	Value
-----------	-------

d	34 mm
d2	253 mm
d3	226.5 mm
Dmax(S)	320 mm
Ds	300 mm
G1	G1/2"-F
G2	G1/2"-F
H	25 mm
H1	26.5 mm
L2	76 mm
LG1	13.5 mm
LG2	15 mm
Z	6 mm

Contact to Schmalz

J. Schmalz GmbH | Johannes-Schmalz-Straße, 72293 Glatten, Deutschland | +49 7443 2403-102 | customercenter@schmalz.de

Technical Data

Attribute	Value
Suction force	3810 N
Suction force d2	3010 N
Volume	491 cm ³
Curve radius (min) (convex)	3500 mm
Internal hose diameter (recom.)	12 mm
Size	300
Suction cup material	Silicone SI
Material hardness	60 °Sh
Weight	2200 g
Number of folds	0

Spare Parts



DR-SPU 300 SI-55

Part no. 10.01.01.01132

Sealing ring for suction plate SPU

Size: 300

Suction cup material: Silicone SI

Material hardness: 55 °Sh

Accessories



SU 300

Part no. 10.01.01.12843

Cover for suction cup

Size: 300

Clamping range: 300.0 ... 330.0 mm

Temperature resistance: 80 °C