

# Suction plate (round)

## SPU 300 NBR-55 G1/2-IG

<https://www.schmalz.com/10.01.01.01134>



Part no.: 10.01.01.01134

Homepage > Vacuum Technology for Automation > Vacuum Components > Vacuum Suction Cups > Flat Suction Cups (Round) > Suction Plates

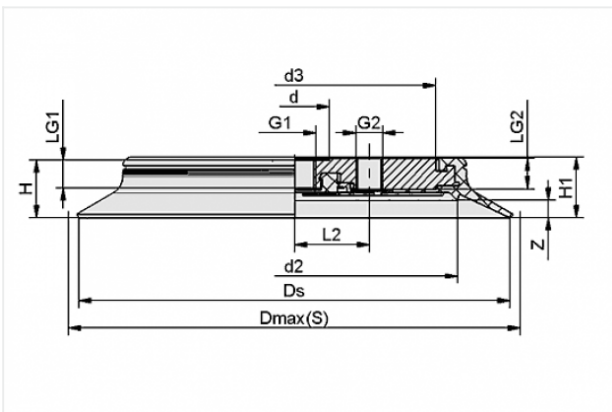
SPU > SPU 300 NBR-55 G1/2-IG

## Suction plate (round), universal, for smooth and slightly rough surfaces



Size: 300  
 Suction cup material:  
 Nitrile rubber NBR  
 Material hardness: 55 °Sh  
 Vacuum connection: G1/2-F

### Design Data



Attribute	Value
d	34 mm
d2	253 mm
d3	226.5 mm
Dmax(S)	320 mm
Ds	300 mm
G1	G1/2"-F
G2	G1/2"-F
H	25 mm
H1	26.5 mm
L2	76 mm
LG1	13.5 mm
LG2	15 mm
Z	6 mm

### Contact to Schmalz

J. Schmalz GmbH | Johannes-Schmalz-Straße, 72293 Glatten, Deutschland | +49 7443 2403-102 | [customercenter@schmalz.de](mailto:customercenter@schmalz.de)

## Technical Data

Attribute	Value
Suction force	3810 N
Suction force d2	3010 N
Volume	491 cm <sup>3</sup>
Curve radius (min) (convex)	3500 mm
Internal hose diameter (recom.)	12 mm
Size	300
Suction cup material	Nitrile rubber NBR
Material hardness	55 °Sh
Weight	2200 g
Number of folds	0

## Spare Parts



### DR-SPU 300 NBR-55

Part no. 10.01.01.01131

Sealing ring for suction plate SPU

Size: 300

Suction cup material:

Nitrile rubber NBR

Material hardness: 55 °Sh

## Accessories



### **SU 300**

Part no. 10.01.01.12843

Cover for suction cup

Size: 300

Clamping range: 300.0 ... 330.0 mm

Temperature resistance: 80 °C