

Suction plate (round)

SPU 250 SI-60 G1/2-IG TV

<https://www.schmalz.com/10.01.01.01210>



Part no.: 10.01.01.01210

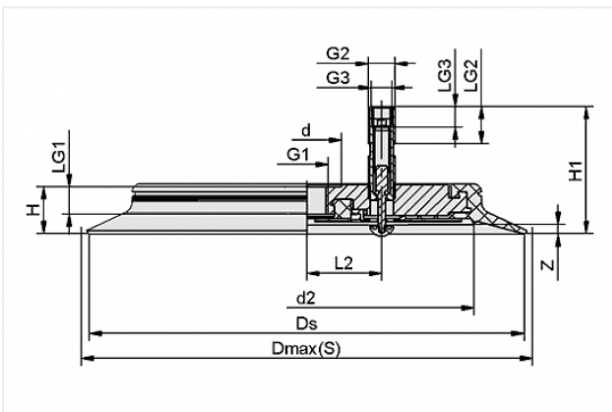
Homepage > Vacuum Technology for Automation > Vacuum Components > Vacuum Suction Cups > Flat Suction Cups (Round) > Suction Plates
SPU > SPU 250 SI-60 G1/2-IG TV

Suction plate (round), universal, for smooth and slightly rough surfaces



Size: 250
Suction cup material: Silicone SI
Material hardness: 60 °Sh
Vacuum connection: G1/2-F
Additional feature: Sensing valve

Design Data



Attribute	Value
d	34 mm
d2	203 mm
Dmax(S)	265 mm
Ds	250 mm
G1	G1/2"-F
G2	G1/2"-M
G3	G3/8"-F
H	25 mm
H1	65.5 mm
L2	76 mm
LG1	13.5 mm
LG2	20 mm
LG3	12 mm

Contact to Schmalz

J. Schmalz GmbH | Johannes-Schmalz-Straße, 72293 Glatten, Deutschland | +49 7443 2403-102 | customercenter@schmalz.de

Attribute	Value
Z	7 mm

Technical Data

Attribute	Value
Suction force	2650 N
Suction force d2	1940 N
Volume	371 cm ³
Curve radius (min) (convex)	2200 mm
Internal hose diameter (recom.)	12 mm
Size	250
Suction cup material	Silicone SI
Material hardness	60 °Sh
Weight	1400 g
Number of folds	0

Spare Parts



TV G1/2-AG 13

Part no. 10.05.10.00038

Touch valve for deactivation of unused suction cups or vacuum blocks

Thread G1: G1/2-M

Spring stroke Z: 13 mm

Contact to Schmalz



DR-SPU 250 SI-55

Part no. 10.01.01.01095

Sealing ring for suction plate SPU

Size: 250

Suction cup material: Silicone SI

Material hardness: 55 °Sh

Accessories



SU 280

Part no. 10.01.01.12485

Cover for suction cup

Size: 280

Clamping range: 270.0 ... 300.0 mm

Temperature resistance: 80 °C