

Suction plate (round)

SPU 250 NBR-55 G1/2-IG B

Part no.: 10.01.01.10589

<https://www.schmalz.com/10.01.01.10589>



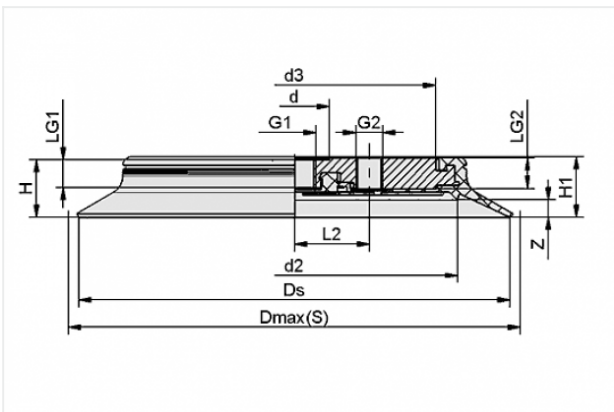
Homepage > Vacuum Technology for Automation > Vacuum Components > Vacuum Suction Cups > SPU 250 NBR-55 G1/2-IG B

Suction plate (round), universal, for smooth and slightly rough surfaces



Size: 250
 Suction cup material:
 Nitrile rubber NBR
 Material hardness: 55 °Sh
 Vacuum connection: G1/2-F
 Additional feature:
 Sealing lip for metal sheets

Design Data



Attribute	Value
d	34 mm
d2	203 mm
d3	178 mm
Dmax(S)	265 mm
Ds	250 mm
G1	G1/2"-F
G2	G1/2"-F
H	29 mm
H1	30 mm
L2	76 mm
LG1	13.5 mm
LG2	15 mm
Z	11 mm

Contact to Schmalz

J. Schmalz GmbH | Johannes-Schmalz-Straße, 72293 Glatten, Deutschland | +49 7443 2403-102 | customercenter@schmalz.de

Technical Data

Attribute	Value
Suction force	2650 N
Suction force d2	1940 N
Volume	512 cm ³
Curve radius (min) (convex)	1500 mm
Internal hose diameter (recom.)	12 mm
Size	250
Suction cup material	Nitrile rubber NBR
Material hardness	55 °Sh
Weight	1330 g
Number of folds	0

Spare Parts



DR-SPU 250 NBR-55 B

Part no. 10.01.01.10579

Sealing ring for suction plate SPU

Size: 250

Suction cup material:

Nitrile rubber NBR

Material hardness: 55 °Sh

Additional feature:

Sealing lip for metal sheets

Accessories



SU 280

Part no. 10.01.01.12485

Cover for suction cup

Size: 280

Clamping range: 270.0 ... 300.0 mm

Temperature resistance: 80 °C