

# Polyamide extension

## PLASTIC LINE

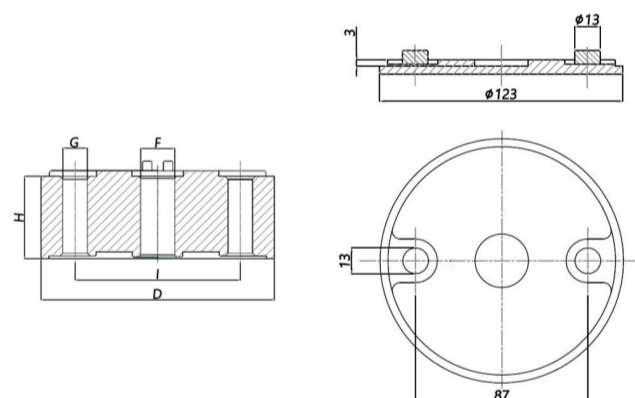


- Polyamide extension suitable for any type of floor, with or without rubber
- Extension suitable for all 4 Martin plastic footplates 123 **Optional:** anti-slip rubber pad
- Material:** black NBR 70 shore (FDA quality)  
**Part number:** 30-40050-123



360° Inox solutions

### EXTENSION Ø123 WITH MOUNTING HOLES



CODE	BASE SIZE (D)	TOTAL HEIGHT	HOLES DISTANCE (I)	RUBBER	LOAD (Newton)
<a href="#">PROLD123</a>	123	43	87		35000
<a href="#">PROLD123/G</a>	123	43	87	FDA Black NBR 70 Shore	35000



#### MARTIN S.P.A.

Via Cave 1, 25050  
 Provaglio d'Iseo (Bs) – ITALY  
 C.F. & P. IVA 03836170989

Soggetta a direzione e coordinamento da parte di HOLDING MARTINELLI S.R.L. ai sensi dell'art. 2497-bis del C.C.

#### CONTACTS

- [I](#) Italy Contacts
- [Globe](#) Foreign Contacts
- [Person](#) Privacy Policy

#### CERTIFICATIONS

