

# Closing system 3-A with Handle

## INOX ACCESSORIES

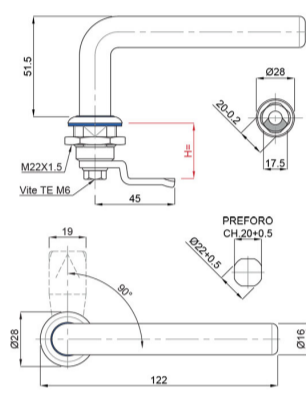


- Stainless Steel latch 1/4 turn certified IP69K. Maximum protection grade
- Material: body AISI 304, Inside pivot AISI 304, Screws AISI 304, Nut AISI 304, Closing tongue AISI 304, O-Ring blue silicone
- On Request AISI 316



360° Inox solutions

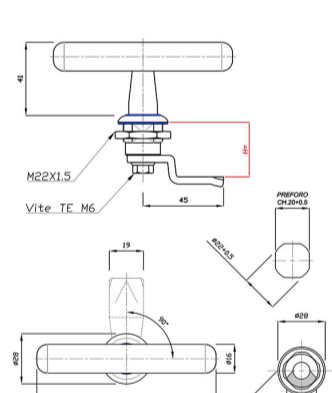
### 1/4 TURN LATCH - D28 L-SHAPED



CODE	STEM LENGTH (B)	TREATMENT
<a href="#">70170HYG/L/3A</a>	18,00	HIGH-GLOSS POLISHED
<a href="#">70171HYG/L/3A</a>	20,00	HIGH-GLOSS POLISHED
<a href="#">70172HYG/L/3A</a>	22,00	HIGH-GLOSS POLISHED
<a href="#">70173HYG/L/3A</a>	24,00	HIGH-GLOSS POLISHED
<a href="#">70174HYG/L/3A</a>	26,00	HIGH-GLOSS POLISHED
<a href="#">70175HYG/L/3A</a>	28,00	HIGH-GLOSS POLISHED



### 1/4 TURN LATCH - D28 T-SHAPED



CODE	STEM LENGTH (B)	TREATMENT
<a href="#">70170HYG/T/3A</a>	18,00	HIGH-GLOSS POLISHED
<a href="#">70171HYG/T/3A</a>	20,00	HIGH-GLOSS POLISHED
<a href="#">70172HYG/T/3A</a>	22,00	HIGH-GLOSS POLISHED
<a href="#">70173HYG/T/3A</a>	24,00	HIGH-GLOSS POLISHED
<a href="#">70174HYG/T/3A</a>	26,00	HIGH-GLOSS POLISHED
<a href="#">70175HYG/T/3A</a>	28,00	HIGH-GLOSS POLISHED
<a href="#">70170HYG/T/S/3A</a>	18,00	SCOTCH BRITE
<a href="#">70171HYG/T/S/3A</a>	20,00	SCOTCH BRITE
<a href="#">70172HYG/T/S/3A</a>	22,00	SCOTCH BRITE
<a href="#">70173HYG/T/S/3A</a>	24,00	SCOTCH BRITE
<a href="#">70174HYG/T/S/3A</a>	26,00	SCOTCH BRITE
<a href="#">70175HYG/T/S/3A</a>	28,00	SCOTCH BRITE



#### MARTIN S.P.A.

Via Cave 1, 25050  
 Provaglio d'Iseo (Bs) – ITALY  
 C.F. & P. IVA 03836170989

Soggetta a direzione e coordinamento da parte di HOLDING MARTINELLI S.R.L. ai sensi dell'art. 2497-bis del C.C.

#### CONTACTS

- [Italy Contacts](#)
- [Foreign Contacts](#)
- [Privacy Policy](#)

#### CERTIFICATIONS

