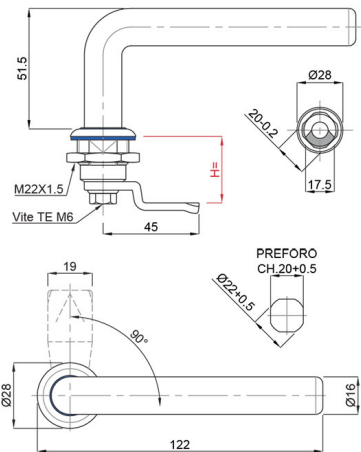


## Inox accessories | Closing system 3-A with Handle | 1/4 turn latch - D28 L-shaped



CODE	STEM LENGTH (B)	TREATMENT
<b>70170HYG/L/3A</b>	18,00	HIGH-GLOSS POLISHED
<b>70171HYG/L/3A</b>	20,00	HIGH-GLOSS POLISHED
<b>70172HYG/L/3A</b>	22,00	HIGH-GLOSS POLISHED
<b>70173HYG/L/3A</b>	24,00	HIGH-GLOSS POLISHED
<b>70174HYG/L/3A</b>	26,00	HIGH-GLOSS POLISHED
<b>70175HYG/L/3A</b>	28,00	HIGH-GLOSS POLISHED

- Stainless Steel latch 1/4 turn certified IP69K. Maximum protection grade
- Material: body AISI 304, Inside pivot AISI 304, Screws AISI 304, Nut AISI 304, Closing tongue AISI 304, O-Ring blue silicone
- On Request AISI 316