

Suction plate (round)

SPU 250 NBR-55 G1/2-IG

Part no.: 10.01.01.01097

<https://www.schmalz.com/10.01.01.01097>



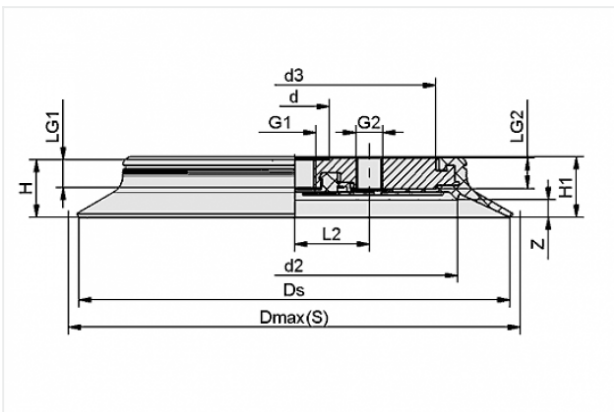
Homepage > Vacuum Technology for Automation > Vacuum Components > Vacuum Suction Cups > SPU 250 NBR-55 G1/2-IG

Suction plate (round), universal, for smooth and slightly rough surfaces



Size: 250
Suction cup material:
Nitrile rubber NBR
Material hardness: 55 °Sh
Vacuum connection: G1/2-F

Design Data



Attribute	Value
-----------	-------

d	34 mm
---	-------

d2	203 mm
----	--------

d3	178 mm
----	--------

Dmax(S)	265 mm
---------	--------

Ds	250 mm
----	--------

G1	G1/2"-F
----	---------

G2	G1/2"-F
----	---------

H	25 mm
---	-------

H1	26.5 mm
----	---------

L2	76 mm
----	-------

LG1	13.5 mm
-----	---------

LG2	15 mm
-----	-------

Z	7 mm
---	------

Contact to Schmalz

J. Schmalz GmbH | Johannes-Schmalz-Straße, 72293 Glatten, Deutschland | +49 7443 2403-102 | customercenter@schmalz.de

Technical Data

Attribute	Value
Suction force	2650 N
Suction force d2	1940 N
Volume	370 cm ³
Curve radius (min) (convex)	2200 mm
Internal hose diameter (recom.)	12 mm
Size	250
Suction cup material	Nitrile rubber NBR
Material hardness	55 °Sh
Weight	1360 g
Number of folds	0

Spare Parts



DR-SPU 250 NBR-55

Part no. 10.01.01.01094

Sealing ring for suction plate SPU

Size: 250

Suction cup material:

Nitrile rubber NBR

Material hardness: 55 °Sh

Accessories



SU 280

Part no. 10.01.01.12485

Cover for suction cup

Size: 280

Clamping range: 270.0 ... 300.0 mm

Temperature resistance: 80 °C