

Suction plate (round)

SPU 210 SI-60 G1/2-IG AE

<https://www.schmalz.com/10.01.01.01152>



Part no.: 10.01.01.01152

Homepage > Vacuum Technology for Automation > Vacuum Components > Vacuum Suction Cups > Flat Suction Cups (Round) > Suction Plates

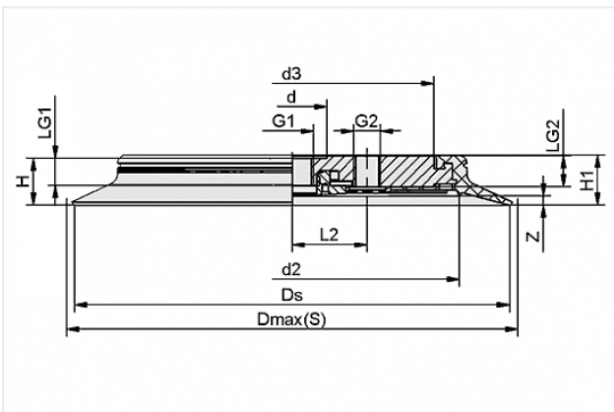
SPU > SPU 210 SI-60 G1/2-IG AE

Suction plate (round), universal, for smooth and slightly rough surfaces



Size: 210
 Suction cup material: Silicone SI
 Material hardness: 60 °Sh
 Vacuum connection: G1/2-F
 Additional feature: Peel-off insert

Design Data



Attribute	Value
d	34 mm
d2	163 mm
d3	138 mm
Dmax(S)	220 mm
Ds	210 mm
G1	G1/2"-F
G2	G1/4"-F
H	25 mm
H1	26.5 mm
L2	36.5 mm
LG1	13.5 mm
LG2	15 mm
Z	5 mm

Contact to Schmalz

J. Schmalz GmbH | Johannes-Schmalz-Straße, 72293 Glatten, Deutschland | +49 7443 2403-102 | customercenter@schmalz.de

Technical Data

Attribute	Value
Suction force	1870 N
Suction force d2	1250 N
Volume	194 cm ³
Internal hose diameter (recom.)	12 mm
Size	210
Suction cup material	Silicone SI
Material hardness	60 °Sh
Weight	870 g
Number of folds	0

Spare Parts



DR-SPU 210 SI-55

Part no. 10.01.01.01090

Sealing ring for suction plate SPU

Size: 210

Suction cup material: Silicone SI

Material hardness: 55 °Sh

Accessories

Contact to Schmalz

J. Schmalz GmbH | Johannes-Schmalz-Straße, 72293 Glatten, Deutschland | +49 7443 2403-102 | customercenter@schmalz.de

**SU 210**

Part no. 10.01.01.12439

Cover for suction cup

Size: 210

Clamping range: 210.0 ... 220.0 mm

Temperature resistance: 80 °C