

Suction plate (round)

SPU 210 NBR-55 G1/2-IG TV

<https://www.schmalz.com/10.01.01.01149>



Part no.: 10.01.01.01149

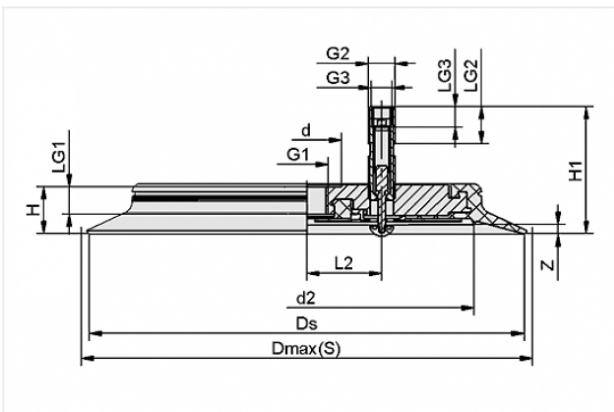
Homepage > Vacuum Technology for Automation > Vacuum Components > Vacuum Suction Cups > Flat Suction Cups (Round) > Suction Plates
 SPU > SPU 210 NBR-55 G1/2-IG TV

Suction plate (round), universal, for smooth and slightly rough surfaces



Size: 210
 Suction cup material:
 Nitrile rubber NBR
 Material hardness: 55 °Sh
 Vacuum connection: G1/2-F
 Additional feature: Sensing valve

Design Data



Attribute	Value
d	34 mm
d2	163 mm
Dmax(S)	220 mm
Ds	210 mm
G1	G1/2"-F
G2	G1/4"-M
G3	G1/8"-F
H	25 mm
H1	62 mm
L2	36.5 mm
LG1	13.5 mm
LG2	37.5 mm
LG3	9.5 mm

Contact to Schmalz

J. Schmalz GmbH | Johannes-Schmalz-Straße, 72293 Glatten, Deutschland | +49 7443 2403-102 | customercenter@schmalz.de

Attribute	Value
Z	5 mm

Technical Data

Attribute	Value
Suction force	1870 N
Suction force d2	1250 N
Volume	192 cm ³
Curve radius (min) (convex)	750 mm
Internal hose diameter (recom.)	9 mm
Size	210
Suction cup material	Nitrile rubber NBR
Material hardness	55 °Sh
Weight	840 g
Number of folds	0

Spare Parts



TV G1/4-AG 13

Part no. 10.05.10.00061

Touch valve for deactivation of unused suction cups or vacuum blocks

Thread G1: G1/4-M

Spring stroke Z: 13 mm

Contact to Schmalz



DR-SPU 210 NBR-55

Part no. 10.01.01.01089

Sealing ring for suction plate SPU

Size: 210

Suction cup material:

Nitrile rubber NBR

Material hardness: 55 °Sh

Accessories



SU 210

Part no. 10.01.01.12439

Cover for suction cup

Size: 210

Clamping range: 210.0 ... 220.0 mm

Temperature resistance: 80 °C