

Sealing ring for SPU suction plate

<https://www.schmalz.com/10.01.01.10502>



DR-SPU 210 NBR-55 B

Part no.: 10.01.01.10502

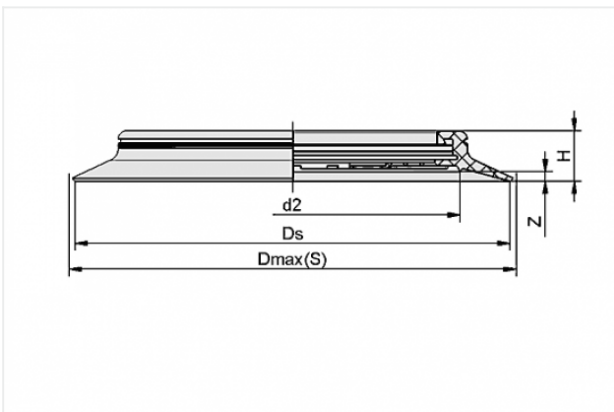
Homepage > Vacuum Technology for Automation > Vacuum Components > Vacuum Suction Cups > Flat Suction Cups (Round) > DR-SPU 210 NBR-55 B

Sealing ring for suction plate SPU



Size: 210
Suction cup material:
Nitrile rubber NBR
Material hardness: 55 °Sh
Additional feature:
Sealing lip for metal sheets

Design Data



Attribute	Value
-----------	-------

d2	159 mm
Ds	210 mm
Dmax(S)	213.3 mm
H	29.5 mm
Z	8.5 mm

Technical Data

Attribute	Value
Size	210
Material hardness	55 °Sh

Contact to Schmalz

J. Schmalz GmbH | Johannes-Schmalz-Straße, 72293 Glatten, Deutschland | +49 7443 2403-102 | customercenter@schmalz.de



Attribute	Value
Suction cup material	Nitrile rubber NBR
Weight	244 g
<hr/>	
<hr/>	