

Suction plate (round)

SPU 210 NBR-55 G1/2-IG B

<https://www.schmalz.com/10.01.01.10552>



Part no.: 10.01.01.10552

Homepage > Vacuum Technology for Automation > Vacuum Components > Vacuum Suction Cups > Flat Suction Cups (Round) > Suction Plates

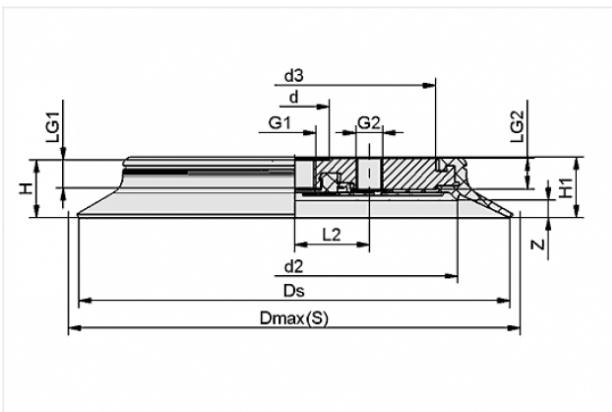
SPU > SPU 210 NBR-55 G1/2-IG B

Suction plate (round), universal, for smooth and slightly rough surfaces



Size: 210
 Suction cup material:
 Nitrile rubber NBR
 Material hardness: 55 °Sh
 Vacuum connection: G1/2-F
 Additional feature:
 Sealing lip for metal sheets

Design Data



Attribute	Value
d	34 mm
d2	159 mm
d3	138 mm
Dmax(S)	220 mm
Ds	210 mm
G1	G1/2"-F
G2	G1/4"-F
H	29 mm
H1	29.5 mm
L2	36.5 mm
LG1	13.5 mm
LG2	15 mm
Z	9.5 mm

Contact to Schmalz

J. Schmalz GmbH | Johannes-Schmalz-Straße, 72293 Glatten, Deutschland | +49 7443 2403-102 | customercenter@schmalz.de

Technical Data

Attribute	Value
Suction force	1870 N
Suction force d2	1190 N
Volume	321 cm ³
Curve radius (min) (convex)	750 mm
Internal hose diameter (recom.)	12 mm
Size	210
Suction cup material	Nitrile rubber NBR
Material hardness	55 °Sh
Weight	860 g
Number of folds	0

Spare Parts



DR-SPU 210 NBR-55 B

Part no. 10.01.01.10502

Sealing ring for suction plate SPU

Size: 210

Suction cup material:

Nitrile rubber NBR

Material hardness: 55 °Sh

Additional feature:

Sealing lip for metal sheets

Accessories



SU 210

Part no. 10.01.01.12439

Cover for suction cup

Size: 210

Clamping range: 210.0 ... 220.0 mm

Temperature resistance: 80 °C