

Sealing ring for SPU suction plate

<https://www.schmalz.com/10.01.01.01090>



DR-SPU 210 SI-55

Part no.: 10.01.01.01090

Homepage > Vacuum Technology for Automation > Vacuum Components > Vacuum Suction Cups > Flat Suction Cups (Round) > DR-SPU 210

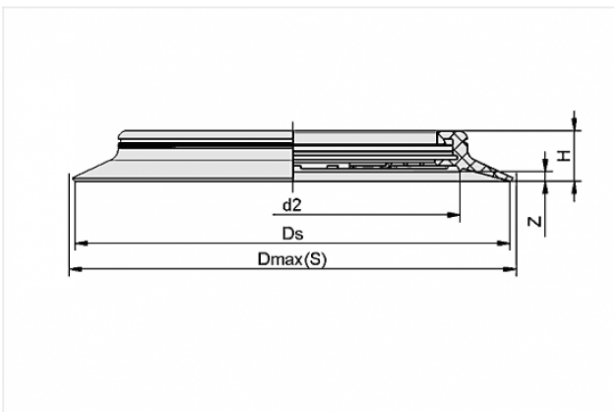
SI-55

Sealing ring for suction plate SPU



Size: 210
Suction cup material: Silicone SI
Material hardness: 55 °Sh

Design Data



Attribute	Value
-----------	-------

d2	159.2 mm
----	----------

Ds	210 mm
----	--------

Dmax(S)	212.4 mm
---------	----------

H	24.5 mm
---	---------

Z	4.5 mm
---	--------

Technical Data

Attribute	Value
Size	210
Material hardness	55 °Sh

Contact to Schmalz

J. Schmalz GmbH | Johannes-Schmalz-Straße, 72293 Glatten, Deutschland | +49 7443 2403-102 | customercenter@schmalz.de



Attribute	Value
Suction cup material	Silicone SI
Weight	214 g
