

# Sealing ring for SPU suction plate

<https://www.schmalz.com/10.01.01.01089>



## DR-SPU 210 NBR-55

Part no.: 10.01.01.01089

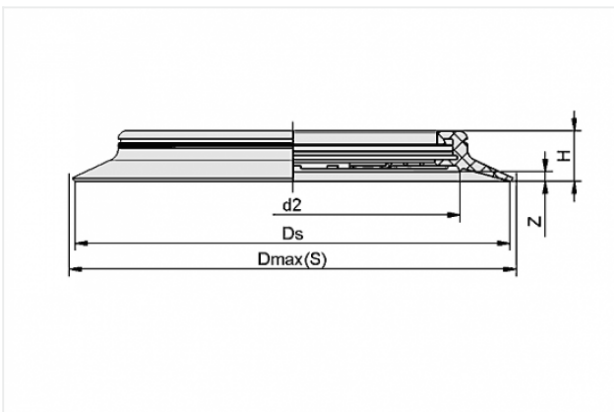
Homepage > Vacuum Technology for Automation > Vacuum Components > Vacuum Suction Cups > Flat Suction Cups (Round) > DR-SPU 210 NBR-55

## Sealing ring for suction plate SPU



Size: 210  
Suction cup material:  
Nitrile rubber NBR  
Material hardness: 55 °Sh

## Design Data



Attribute	Value
-----------	-------

d2	159.2 mm
----	----------

Ds	210 mm
----	--------

Dmax(S)	212.4 mm
---------	----------

H	24.5 mm
---	---------

Z	4.5 mm
---	--------

## Technical Data

Attribute	Value
Size	210
Material hardness	55 °Sh

## Contact to Schmalz

J. Schmalz GmbH | Johannes-Schmalz-Straße, 72293 Glatten, Deutschland | +49 7443 2403-102 | [customercenter@schmalz.de](mailto:customercenter@schmalz.de)



Attribute	Value
Suction cup material	Nitrile rubber NBR
Weight	247.1 g

---

---