

Suction plate (round)

SPU 210 NBR-55 G1/2-IG

<https://www.schmalz.com/10.01.01.01092>



Part no.: 10.01.01.01092

Homepage > Vacuum Technology for Automation > Vacuum Components > Vacuum Suction Cups > Flat Suction Cups (Round) > Suction Plates

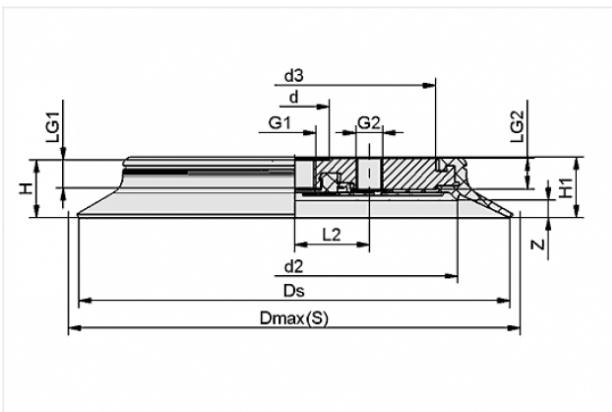
SPU > SPU 210 NBR-55 G1/2-IG

Suction plate (round), universal, for smooth and slightly rough surfaces



Size: 210
 Suction cup material:
 Nitrile rubber NBR
 Material hardness: 55 °Sh
 Vacuum connection: G1/2-F

Design Data



| Attribute | Value |
|-----------|---------|
| d | 34 mm |
| d2 | 163 mm |
| d3 | 138 mm |
| Dmax(S) | 220 mm |
| Ds | 210 mm |
| G1 | G1/2"-F |
| G2 | G1/4"-F |
| H | 25 mm |
| H1 | 26.5 mm |
| L2 | 36.5 mm |
| LG1 | 13.5 mm |
| LG2 | 15 mm |
| Z | 5 mm |

Contact to Schmalz

J. Schmalz GmbH | Johannes-Schmalz-Straße, 72293 Glatten, Deutschland | +49 7443 2403-102 | customercenter@schmalz.de

Technical Data

| Attribute | Value |
|---------------------------------|---------------------|
| Suction force | 1870 N |
| Suction force d2 | 1250 N |
| Volume | 226 cm ³ |
| Curve radius (min) (convex) | 750 mm |
| Internal hose diameter (recom.) | 12 mm |
| Size | 210 |
| Suction cup material | Nitrile rubber NBR |
| Material hardness | 55 °Sh |
| Weight | 800 g |
| Number of folds | 0 |

Spare Parts



DR-SPU 210 NBR-55

Part no. 10.01.01.01089

Sealing ring for suction plate SPU

Size: 210

Suction cup material:

Nitrile rubber NBR

Material hardness: 55 °Sh

Accessories



SU 210

Part no. 10.01.01.12439

Cover for suction cup

Size: 210

Clamping range: 210.0 ... 220.0 mm

Temperature resistance: 80 °C