

# Suction plate (round)

SPU 210 NBR-55 G1/2-IG

Part no.: 10.01.01.01092

<https://www.schmalz.com/10.01.01.01092>



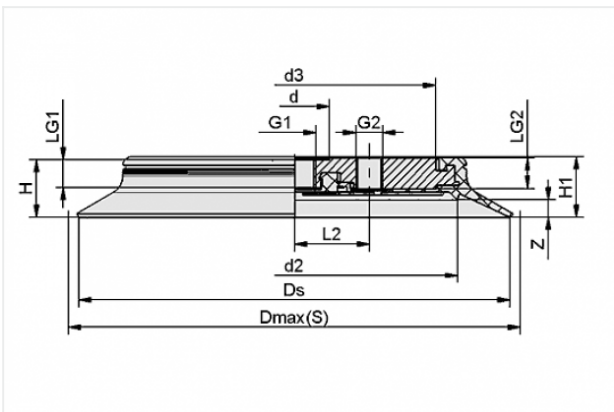
Homepage > Vacuum Technology for Automation > Vacuum Components > Vacuum Suction Cups > SPU 210 NBR-55 G1/2-IG

## Suction plate (round), universal, for smooth and slightly rough surfaces



Size: 210  
Suction cup material:  
Nitrile rubber NBR  
Material hardness: 55 °Sh  
Vacuum connection: G1/2-F

### Design Data



Attribute	Value
-----------	-------

d	34 mm
---	-------

d2	163 mm
----	--------

d3	138 mm
----	--------

Dmax(S)	220 mm
---------	--------

Ds	210 mm
----	--------

G1	G1/2"-F
----	---------

G2	G1/4"-F
----	---------

H	25 mm
---	-------

H1	26.5 mm
----	---------

L2	36.5 mm
----	---------

LG1	13.5 mm
-----	---------

LG2	15 mm
-----	-------

Z	5 mm
---	------

### Contact to Schmalz

J. Schmalz GmbH | Johannes-Schmalz-Straße, 72293 Glatten, Deutschland | +49 7443 2403-102 | [customercenter@schmalz.de](mailto:customercenter@schmalz.de)

## Technical Data

Attribute	Value
Suction force	1870 N
Suction force d2	1250 N
Volume	226 cm <sup>3</sup>
Curve radius (min) (convex)	750 mm
Internal hose diameter (recom.)	12 mm
Size	210
Suction cup material	Nitrile rubber NBR
Material hardness	55 °Sh
Weight	800 g
Number of folds	0

## Spare Parts



### DR-SPU 210 NBR-55

Part no. 10.01.01.01089

Sealing ring for suction plate SPU

Size: 210

Suction cup material:

Nitrile rubber NBR

Material hardness: 55 °Sh

## Accessories



### **SU 210**

Part no. 10.01.01.12439

Cover for suction cup

Size: 210

Clamping range: 210.0 ... 220.0 mm

Temperature resistance: 80 °C