

# Suction plate (round)

## SPU 160 SI-60 G1/2-IG TV

<https://www.schmalz.com/10.01.01.01154>



Part no.: 10.01.01.01154

Homepage > Vacuum Technology for Automation > Vacuum Components > Vacuum Suction Cups > Flat Suction Cups (Round) > Suction Plates

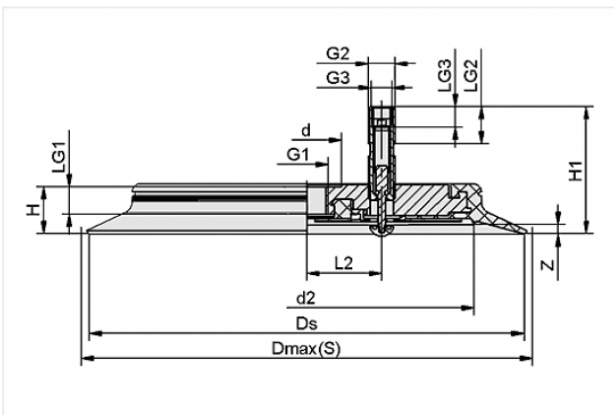
SPU > SPU 160 SI-60 G1/2-IG TV

## Suction plate (round), universal, for smooth and slightly rough surfaces



Size: 160  
 Suction cup material: Silicone SI  
 Material hardness: 60 °Sh  
 Vacuum connection: G1/2-F  
 Additional feature: Sensing valve

### Design Data



Attribute	Value
d	34 mm
d2	113 mm
Dmax(S)	170 mm
Ds	160 mm
G1	G1/2"-F
G2	G1/4"-M
G3	G1/8"-F
H	25 mm
H1	43 mm
L2	36.5 mm
LG1	13.5 mm
LG2	13 mm
LG3	6 mm

### Contact to Schmalz

J. Schmalz GmbH | Johannes-Schmalz-Straße, 72293 Glatten, Deutschland | +49 7443 2403-102 | [customercenter@schmalz.de](mailto:customercenter@schmalz.de)

Attribute	Value
Z	7 mm

## Technical Data

Attribute	Value
Suction force	1090 N
Suction force d2	600 N
Volume	142 cm <sup>3</sup>
Curve radius (min) (convex)	350 mm
Internal hose diameter (recom.)	9 mm
Size	160
Suction cup material	Silicone SI
Material hardness	60 °Sh
Weight	440 g
Number of folds	0

## Spare Parts



### TV G1/4-AG 13

Part no. 10.05.10.00061

Touch valve for deactivation of unused suction cups or vacuum blocks

Thread G1: G1/4-M

Spring stroke Z: 13 mm

## Contact to Schmalz



**DR-SPU 160 SI-55**

Part no. 10.01.01.01112

Sealing ring for suction plate SPU

Size: 160

Suction cup material: Silicone SI

Material hardness: 55 °Sh

**Accessories**



**SU 160**

Part no. 10.01.01.12438

Cover for suction cup

Size: 160

Clamping range: 150.0 ... 180.0 mm

Temperature resistance: 80 °C