

Sealing ring for SPU suction plate

<https://www.schmalz.com/10.01.01.01111>



DR-SPU 160 NBR-55

Part no.: 10.01.01.01111

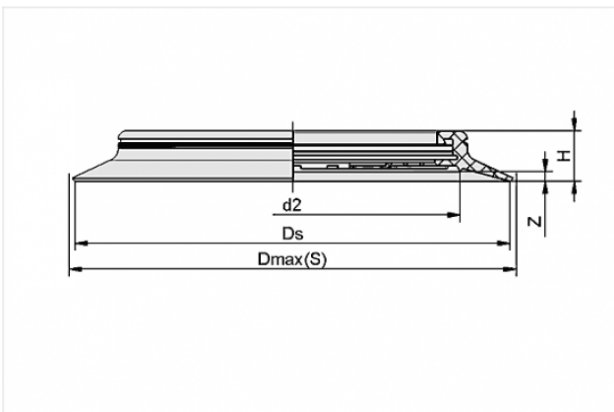
Homepage > Vacuum Technology for Automation > Vacuum Components > Vacuum Suction Cups > Flat Suction Cups (Round) > DR-SPU 160 NBR-55

Sealing ring for suction plate SPU



Size: 160
Suction cup material:
Nitrile rubber NBR
Material hardness: 55 °Sh

Design Data



| Attribute | Value |
|-----------|-------|
|-----------|-------|

| | |
|----|----------|
| d2 | 109.2 mm |
|----|----------|

| | |
|----|--------|
| Ds | 160 mm |
|----|--------|

| | |
|---------|----------|
| Dmax(S) | 162.5 mm |
|---------|----------|

| | |
|---|---------|
| H | 24.5 mm |
|---|---------|

| | |
|---|--------|
| Z | 4.5 mm |
|---|--------|

Technical Data

| Attribute | Value |
|-------------------|--------|
| Size | 160 |
| Material hardness | 55 °Sh |

Contact to Schmalz

J. Schmalz GmbH | Johannes-Schmalz-Straße, 72293 Glatten, Deutschland | +49 7443 2403-102 | customercenter@schmalz.de



| Attribute | Value |
|----------------------|--------------------|
| Suction cup material | Nitrile rubber NBR |
| Weight | 158.6 g |
| <hr/> | |
| <hr/> | |