

Suction plate (round)

SPU 160 NBR-55 G1/2-IG

<https://www.schmalz.com/10.01.01.01116>



Part no.: 10.01.01.01116

Homepage > Vacuum Technology for Automation > Vacuum Components > Vacuum Suction Cups > Flat Suction Cups (Round) > Suction Plates

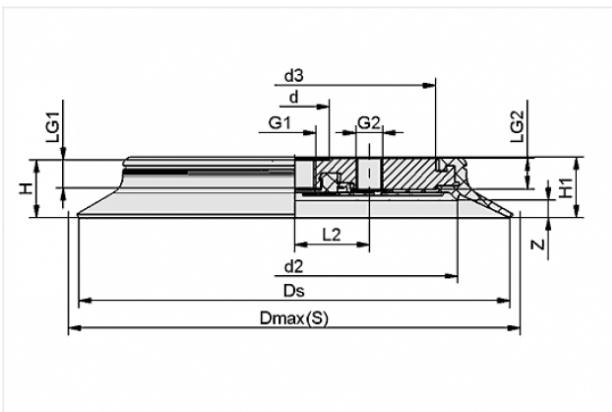
SPU > SPU 160 NBR-55 G1/2-IG

Suction plate (round), universal, for smooth and slightly rough surfaces



Size: 160
 Suction cup material:
 Nitrile rubber NBR
 Material hardness: 55 °Sh
 Vacuum connection: G1/2-F

Design Data



Attribute	Value
d	34 mm
d2	113 mm
d3	88 mm
Dmax(S)	170 mm
Ds	160 mm
G1	G1/2"-F
G2	G1/4"-F
H	25 mm
H1	26.5 mm
L2	36.5 mm
LG1	13.5 mm
LG2	15 mm
Z	7 mm

Contact to Schmalz

J. Schmalz GmbH | Johannes-Schmalz-Straße, 72293 Glatten, Deutschland | +49 7443 2403-102 | customercenter@schmalz.de

Technical Data

Attribute	Value
Suction force	1090 N
Suction force d2	600 N
Volume	142 cm ³
Curve radius (min) (convex)	350 mm
Internal hose diameter (recom.)	12 mm
Size	160
Suction cup material	Nitrile rubber NBR
Material hardness	55 °Sh
Weight	400 g
Number of folds	0

Spare Parts



DR-SPU 160 NBR-55

Part no. 10.01.01.01111

Sealing ring for suction plate SPU

Size: 160

Suction cup material:

Nitrile rubber NBR

Material hardness: 55 °Sh

Accessories



SU 160

Part no. 10.01.01.12438

Cover for suction cup

Size: 160

Clamping range: 150.0 ... 180.0 mm

Temperature resistance: 80 °C