

Suction plate (round)

SPU 125 NBR-55 G1/4-IG TV

<https://www.schmalz.com/10.01.01.01157>



Part no.: 10.01.01.01157

Homepage > Vacuum Technology for Automation > Vacuum Components > Vacuum Suction Cups > Flat Suction Cups (Round) > Suction Plates

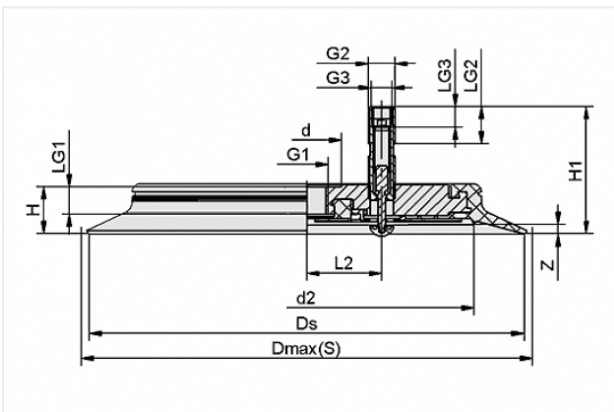
SPU > SPU 125 NBR-55 G1/4-IG TV

Suction plate (round), universal, for smooth and slightly rough surfaces



Size: 125
 Suction cup material:
 Nitrile rubber NBR
 Material hardness: 55 °Sh
 Vacuum connection: G1/4-F
 Additional feature: Sensing valve

Design Data



Attribute	Value
d	22 mm
d2	83 mm
Dmax(S)	132 mm
Ds	125 mm
G1	G1/4"-F
G2	G1/4"-M
G3	G1/8"-F
H	25 mm
H1	62 mm
L2	22 mm
LG1	13 mm
LG2	36 mm
LG3	6.5 mm

Contact to Schmalz

J. Schmalz GmbH | Johannes-Schmalz-Straße, 72293 Glatten, Deutschland | +49 7443 2403-102 | customercenter@schmalz.de

Attribute	Value
Z	7 mm

Technical Data

Attribute	Value
Suction force	660 N
Suction force d2	365 N
Volume	75.4 cm ³
Curve radius (min) (convex)	220 mm
Internal hose diameter (recom.)	9 mm
Size	125
Suction cup material	Nitrile rubber NBR
Material hardness	55 °Sh
Weight	240 g
Number of folds	0

Spare Parts



TV G1/4-AG 13

Part no. 10.05.10.00061

Touch valve for deactivation of unused suction cups or vacuum blocks

Thread G1: G1/4-M

Spring stroke Z: 13 mm

Contact to Schmalz



DR-SPU 125 NBR-55

Part no. 10.01.01.01099

Sealing ring for suction plate SPU

Size: 125

Suction cup material:

Nitrile rubber NBR

Material hardness: 55 °Sh

Accessories



SU 120

Part no. 10.01.01.12437

Cover for suction cup

Size: 120

Clamping range: 115.0 ... 130.0 mm

Temperature resistance: 80 °C