

Suction plate (round)

<https://www.schmalz.com/10.01.01.01103>



SPU 125 SI-60 G1/4-IG

Part no.: 10.01.01.01103

Homepage > Vacuum Technology for Automation > Vacuum Components > Vacuum Suction Cups > Flat Suction Cups (Round) > Suction Plates

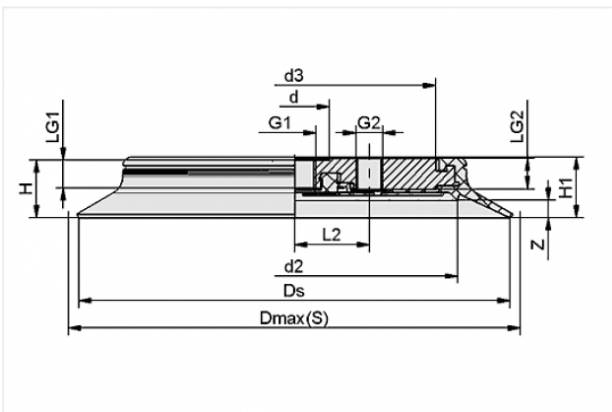
SPU > SPU 125 SI-60 G1/4-IG

Suction plate (round), universal, for smooth and slightly rough surfaces



Size: 125
Suction cup material: Silicone SI
Material hardness: 60 °Sh
Vacuum connection: G1/4-F

Design Data



Attribute	Value
-----------	-------

d	22 mm
---	-------

d2	83 mm
----	-------

d3	61 mm
----	-------

Dmax(S)	132 mm
---------	--------

Ds	125 mm
----	--------

G1	G1/4"-F
----	---------

G2	G1/4"-F
----	---------

H	25 mm
---	-------

H1	26 mm
----	-------

L2	22 mm
----	-------

LG1	13 mm
-----	-------

LG2	14 mm
-----	-------

Z	7 mm
---	------

Contact to Schmalz

J. Schmalz GmbH | Johannes-Schmalz-Straße, 72293 Glatten, Deutschland | +49 7443 2403-102 | customercenter@schmalz.de

Technical Data

Attribute	Value
Suction force	660 N
Suction force d2	365 N
Volume	75.6 cm ³
Curve radius (min) (convex)	220 mm
Internal hose diameter (recom.)	9 mm
Size	125
Suction cup material	Silicone SI
Material hardness	60 °Sh
Weight	200 g
Number of folds	0

Spare Parts



DR-SPU 125 SI-55

Part no. 10.01.01.01100

Sealing ring for suction plate SPU

Size: 125

Suction cup material: Silicone SI

Material hardness: 55 °Sh

Accessories



SU 120

Part no. 10.01.01.12437

Cover for suction cup

Size: 120

Clamping range: 115.0 ... 130.0 mm

Temperature resistance: 80 °C