

# Suction plate (round)

<https://www.schmalz.com/10.01.01.01102>



## SPU 125 NBR-55 G1/4-IG

Part no.: 10.01.01.01102

Homepage > Vacuum Technology for Automation > Vacuum Components > Vacuum Suction Cups > Flat Suction Cups (Round) > Suction Plates

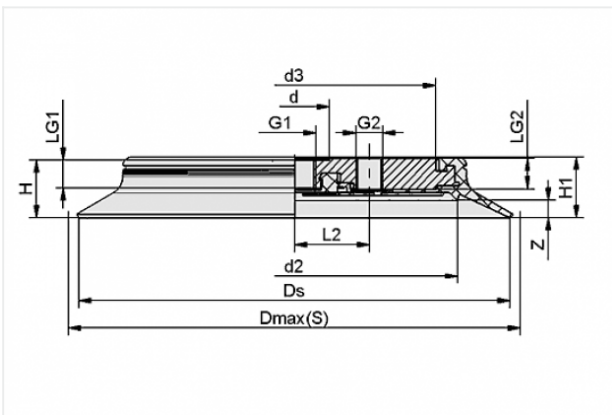
SPU > SPU 125 NBR-55 G1/4-IG

## Suction plate (round), universal, for smooth and slightly rough surfaces



Size: 125  
Suction cup material:  
Nitrile rubber NBR  
Material hardness: 55 °Sh  
Vacuum connection: G1/4-F

### Design Data



Attribute	Value
-----------	-------

d	22 mm
---	-------

d2	83 mm
----	-------

d3	61 mm
----	-------

Dmax(S)	132 mm
---------	--------

Ds	125 mm
----	--------

G1	G1/4"-F
----	---------

G2	G1/4"-F
----	---------

H	25 mm
---	-------

H1	26 mm
----	-------

L2	22 mm
----	-------

LG1	13 mm
-----	-------

LG2	14 mm
-----	-------

Z	7 mm
---	------

### Contact to Schmalz

J. Schmalz GmbH | Johannes-Schmalz-Straße, 72293 Glatten, Deutschland | +49 7443 2403-102 | [customercenter@schmalz.de](mailto:customercenter@schmalz.de)

## Technical Data

Attribute	Value
Suction force	660 N
Suction force d2	365 N
Volume	75.6 cm <sup>3</sup>
Curve radius (min) (convex)	220 mm
Internal hose diameter (recom.)	9 mm
Size	125
Suction cup material	Nitrile rubber NBR
Material hardness	55 °Sh
Weight	200 g
Number of folds	0

## Spare Parts



### DR-SPU 125 NBR-55

Part no. 10.01.01.01099

Sealing ring for suction plate SPU

Size: 125

Suction cup material:

Nitrile rubber NBR

Material hardness: 55 °Sh

## Accessories



### **SU 120**

Part no. 10.01.01.12437

Cover for suction cup

Size: 120

Clamping range: 115.0 ... 130.0 mm

Temperature resistance: 80 °C