

# Sealing ring for SPU suction plate

<https://www.schmalz.com/10.01.01.01105>



## DR-SPU 100 SI-55

Part no.: 10.01.01.01105

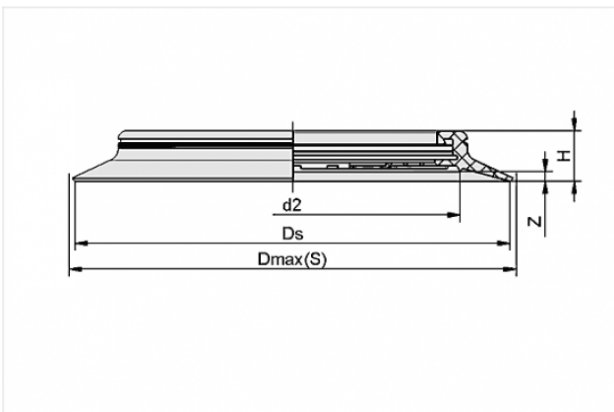
Homepage > Vacuum Technology for Automation > Vacuum Components > Vacuum Suction Cups > Flat Suction Cups (Round) > DR-SPU 100 SI-55

## Sealing ring for suction plate SPU



Size: 100  
Suction cup material: Silicone SI  
Material hardness: 55 °Sh

## Design Data



Attribute	Value
-----------	-------

d2	58 mm
Ds	100 mm
Dmax(S)	101.5 mm
H	23.5 mm
Z	5.5 mm

## Technical Data

Attribute	Value
Size	100
Material hardness	55 °Sh

### Contact to Schmalz

J. Schmalz GmbH | Johannes-Schmalz-Straße, 72293 Glatten, Deutschland | +49 7443 2403-102 | [customercenter@schmalz.de](mailto:customercenter@schmalz.de)



Attribute	Value
Suction cup material	Silicone SI
Weight	44.3 g

---

---