

Sealing ring for SPU suction plate

<https://www.schmalz.com/10.01.01.01104>



DR-SPU 100 NBR-55

Part no.: 10.01.01.01104

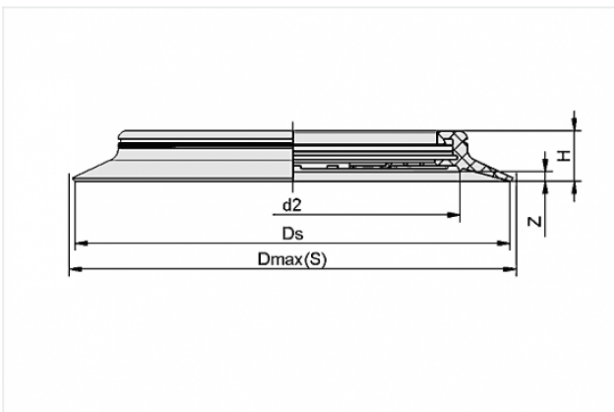
Homepage > Vacuum Technology for Automation > Vacuum Components > Vacuum Suction Cups > Flat Suction Cups (Round) > DR-SPU 100 NBR-55

Sealing ring for suction plate SPU



Size: 100
Suction cup material:
Nitrile rubber NBR
Material hardness: 55 °Sh

Design Data



Attribute	Value
-----------	-------

d2	58 mm
----	-------

Ds	100 mm
----	--------

Dmax(S)	101.5 mm
---------	----------

H	23.5 mm
---	---------

Z	5.5 mm
---	--------

Technical Data

Attribute	Value
-----------	-------

Size	100
------	-----

Material hardness	55 °Sh
-------------------	--------

Contact to Schmalz

J. Schmalz GmbH | Johannes-Schmalz-Straße, 72293 Glatten, Deutschland | +49 7443 2403-102 | customercenter@schmalz.de



Attribute	Value
Suction cup material	Nitrile rubber NBR
Weight	53.8 g
