

Suction plate (round)

SPU 100 NBR-55 G1/4-IG

<https://www.schmalz.com/10.01.01.01107>



Part no.: 10.01.01.01107

Homepage > Vacuum Technology for Automation > Vacuum Components > Vacuum Suction Cups > Flat Suction Cups (Round) > Suction Plates

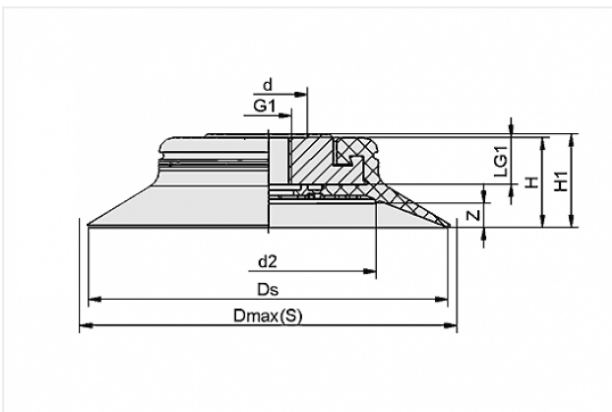
SPU > SPU 100 NBR-55 G1/4-IG

Suction plate (round), universal, for smooth and slightly rough surfaces



Size: 100
Suction cup material:
Nitrile rubber NBR
Material hardness: 55 °Sh
Vacuum connection: G1/4-F

Design Data



Attribute	Value
-----------	-------

d	22 mm
---	-------

d2	60 mm
----	-------

Dmax(S)	108 mm
---------	--------

Ds	100 mm
----	--------

G1	G1/4"-F
----	---------

H	25 mm
---	-------

H1	26 mm
----	-------

LG1	13 mm
-----	-------

Z	7 mm
---	------

Contact to Schmalz

J. Schmalz GmbH | Johannes-Schmalz-Straße, 72293 Glatten, Deutschland | +49 7443 2403-102 | customercenter@schmalz.de

Technical Data

Attribute	Value
Suction force	425 N
Suction force d2	185 N
Volume	44.3 cm ³
Curve radius (min) (convex)	130 mm
Internal hose diameter (recom.)	9 mm
Size	100
Suction cup material	Nitrile rubber NBR
Material hardness	55 °Sh
Weight	100 g
Number of folds	0

Spare Parts



DR-SPU 100 NBR-55

Part no. 10.01.01.01104

Sealing ring for suction plate SPU

Size: 100

Suction cup material:

Nitrile rubber NBR

Material hardness: 55 °Sh

Accessories

Contact to Schmalz

**SU 100**

Part no. 10.01.01.12840

Cover for suction cup

Size: 100

Clamping range: 110.0 ... 115.0 mm

Temperature resistance: 80 °C