

Flat suction cup (round)

<https://www.schmalz.com/10.01.01.00812>



SGAN 16 PU-60 G1/8-AG

Part no.: 10.01.01.00812

Homepage > Vacuum Technology for Automation > Vacuum Components > Vacuum Suction Cups > Flat Suction Cups (Round) > Flat Suction Cups

SGAN > SGAN 16 PU-60 G1/8-AG

Flat suction cup (round) for particularly sensitive workpieces



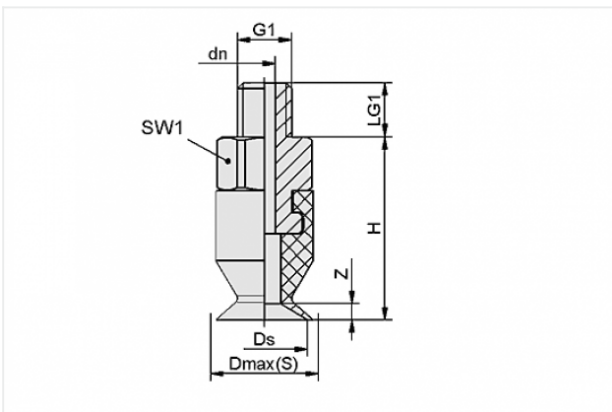
Size: 16

Suction cup material: Polyurethane PU

Material hardness: 60 °Sh

Vacuum connection: G1/8-M

Design Data



Attribute	Value
-----------	-------

dn	3 mm
----	------

Dmax(S)	17.5 mm
---------	---------

Ds	15 mm
----	-------

G1	G1/8"-M
----	---------

H	17 mm
---	-------

LG1	8 mm
-----	------

SW1	14 mm
-----	-------

Z	2 mm
---	------

Technical Data

Contact to Schmalz

J. Schmalz GmbH | Johannes-Schmalz-Straße, 72293 Glatten, Deutschland | +49 7443 2403-102 | customercenter@schmalz.de

Attribute	Value
Suction force	6.9 N
Volume	0.607 cm ³
Curve radius (min) (convex)	15 mm
Internal hose diameter (recom.)	4 mm
Size	16
Nipple	N 029
Suction cup material	Polyurethane PU
Material hardness	60 °Sh
Weight	5.7 g
Number of folds	0

Note:

- Suction force: The specified suction forces are theoretical values at a vacuum of -0.6 bar and with a smooth, dry workpiece surface - they do not include a safety factor
- Hose diameter: The recommended hose diameter refers to a hose length of approx. 2 m

Spare Parts



SA-NIP N029 G1/8-AG DN350

Part no. 10.01.01.00816

Suction cup connection nipple

Nipple: N 029

Thread G1: G1/8-M

Overall length: 17 mm

Fitting length: 5 mm

Nominal size: 3,50 mm

Material: Aluminium

Spanner size SW2: 4 mm



SGA 16 PU-55 N029

Part no. 10.01.01.00572

Flat suction cup (round)

Size: 16

Suction cup material: Polyurethane PU

Material hardness: 55 °Sh