

# Flat suction cup (round)

<https://www.schmalz.com/10.01.01.00806>



## SGAN 13 SI-55 G1/8-AG

Part no.: 10.01.01.00806

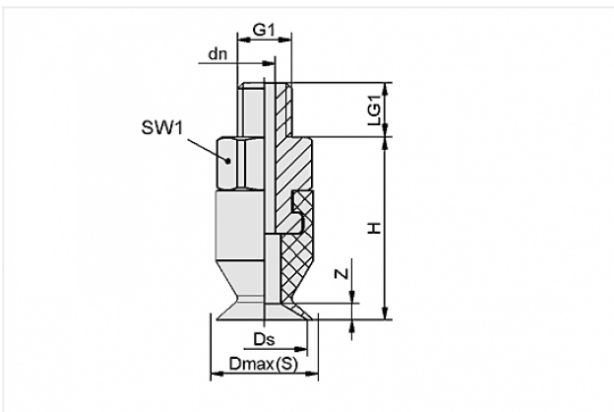
Homepage > Vacuum Technology for Automation > Vacuum Components > Vacuum Suction Cups > Flat Suction Cups (Round) > Flat Suction Cups  
SGAN > SGAN 13 SI-55 G1/8-AG

### Flat suction cup (round) for particularly sensitive workpieces



Size: 13  
Suction cup material: Silicone SI  
Material hardness: 55 °Sh  
Vacuum connection: G1/8-M

### Design Data



Attribute	Value
-----------	-------

dn	3 mm
Dmax(S)	13.5 mm
Ds	12 mm
G1	G1/8"-M
H	17 mm
LG1	8 mm
SW1	14 mm
Z	2 mm

### Technical Data

#### Contact to Schmalz

J. Schmalz GmbH | Johannes-Schmalz-Straße, 72293 Glatten, Deutschland | +49 7443 2403-102 | [customercenter@schmalz.de](mailto:customercenter@schmalz.de)

Attribute	Value
Suction force	4.7 N
Volume	0.441 cm <sup>3</sup>
Curve radius (min) (convex)	12.5 mm
Internal hose diameter (recom.)	4 mm
Size	13
Nipple	N 029
Suction cup material	Silicone SI
Material hardness	55 °Sh
Weight	5.6 g
Number of folds	0

**Note:**

- Suction force: The specified suction forces are theoretical values at a vacuum of -0.6 bar and with a smooth, dry workpiece surface - they do not include a safety factor
- Hose diameter: The recommended hose diameter refers to a hose length of approx. 2 m

**Spare Parts**



**SA-NIP N029 G1/8-AG DN350**

Part no. 10.01.01.00816

Suction cup connection nipple

Nipple: N 029

Thread G1: G1/8-M

Overall length: 17 mm

Fitting length: 5 mm

Nominal size: 3,50 mm

Material: Aluminium

Spanner size SW2: 4 mm



**SGA 13 SI-55 N029**

Part no. 10.01.01.00349

Flat suction cup (round)

Size: 13

Suction cup material: Silicone SI

Material hardness: 55 °Sh