

Flat suction cup (round)

<https://www.schmalz.com/10.01.01.00807>



SGAN 13 PU-60 G1/8-IG

Part no.: 10.01.01.00807

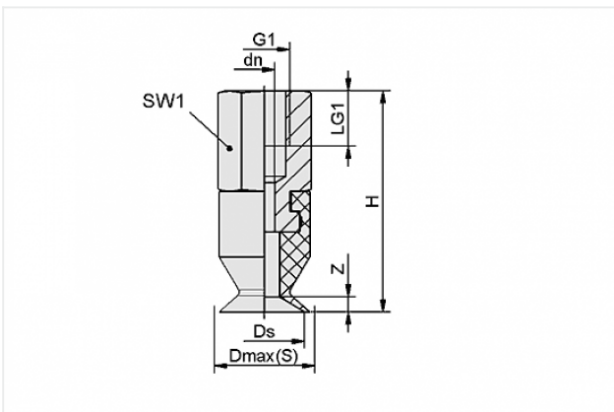
Homepage > Vacuum Technology for Automation > Vacuum Components > Vacuum Suction Cups > Flat Suction Cups (Round) > Flat Suction Cups
SGAN > SGAN 13 PU-60 G1/8-IG

Flat suction cup (round) for particularly sensitive workpieces



Size: 13
Suction cup material: Polyurethane PU
Material hardness: 60 °Sh
Vacuum connection: G1/8-F

Design Data



Attribute	Value
-----------	-------

dn	3 mm
Dmax(S)	13.5 mm
Ds	12 mm
G1	G1/8"-F
H	25 mm
LG1	8 mm
SW1	14 mm
Z	2 mm

Technical Data

Contact to Schmalz

J. Schmalz GmbH | Johannes-Schmalz-Straße, 72293 Glatten, Deutschland | +49 7443 2403-102 | customercenter@schmalz.de

Attribute	Value
Suction force	4.7 N
Volume	0.441 cm ³
Curve radius (min) (convex)	12.5 mm
Internal hose diameter (recom.)	4 mm
Size	13
Nipple	N 029
Suction cup material	Polyurethane PU
Material hardness	60 °Sh
Weight	6.4 g
Number of folds	0

Note:

- Suction force: The specified suction forces are theoretical values at a vacuum of -0.6 bar and with a smooth, dry workpiece surface - they do not include a safety factor
- Hose diameter: The recommended hose diameter refers to a hose length of approx. 2 m

Spare Parts



SA-NIP N029 G1/8-IG DN350

Part no. 10.01.01.00815

Suction cup connection nipple

Nipple: N 029

Thread G1: G1/8-F

Overall length: 17 mm

Fitting length: 13 mm

Nominal size: 3,50 mm

Material: Aluminium

Spanner size SW2: 4 mm



SGA 13 PU-55 N029

Part no. 10.01.01.00571

Flat suction cup (round)

Size: 13

Suction cup material: Polyurethane PU

Material hardness: 55 °Sh