

# Flat suction cup (round)

<https://www.schmalz.com/10.01.01.00803>



## SGAN 9 PU-60 M5-IG

Part no.: 10.01.01.00803

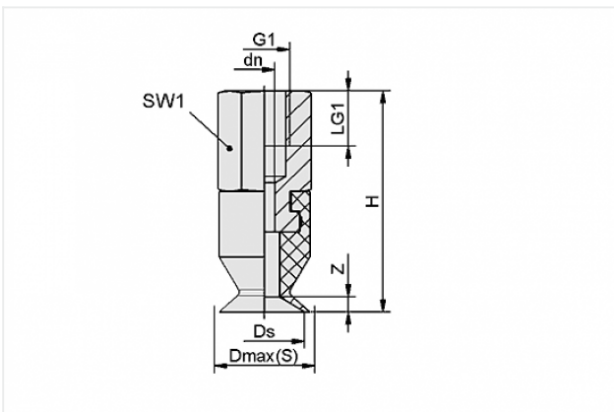
Homepage > Vacuum Technology for Automation > Vacuum Components > Vacuum Suction Cups > Flat Suction Cups (Round) > Flat Suction Cups  
SGAN > SGAN 9 PU-60 M5-IG

### Flat suction cup (round) for particularly sensitive workpieces



Size: 9  
Suction cup material: Polyurethane PU  
Material hardness: 60 °Sh  
Vacuum connection: M5-F

### Design Data



Attribute	Value
-----------	-------

dn	2 mm
----	------

Dmax(S)	9 mm
---------	------

Ds	8 mm
----	------

G1	M5-F
----	------

H	22 mm
---	-------

LG1	5.5 mm
-----	--------

SW1	8 mm
-----	------

Z	1.5 mm
---	--------

### Technical Data

#### Contact to Schmalz

J. Schmalz GmbH | Johannes-Schmalz-Straße, 72293 Glatten, Deutschland | +49 7443 2403-102 | [customercenter@schmalz.de](mailto:customercenter@schmalz.de)

Attribute	Value
Suction force	2.1 N
Volume	0.2 cm <sup>3</sup>
Curve radius (min) (convex)	10 mm
Internal hose diameter (recom.)	2 mm
Size	9
Nipple	N 028
Suction cup material	Polyurethane PU
Material hardness	60 °Sh
Weight	1.8 g
Number of folds	0

**Note:**

- Suction force: The specified suction forces are theoretical values at a vacuum of -0.6 bar and with a smooth, dry workpiece surface - they do not include a safety factor
- Hose diameter: The recommended hose diameter refers to a hose length of approx. 2 m

**Spare Parts**



**SA-NIP N028 M5-IG DN200**

Part no. 10.01.01.00813

Suction cup connection nipple

Nipple: N 028

Thread G1: M5-F

Overall length: 14 mm

Fitting length: 10 mm

Nominal size: 2.00 mm

Material: Aluminium



**SGA 9 PU-60 N028**

Part no. 10.01.01.00569

Flat suction cup (round)

Size: 9

Suction cup material: Polyurethane PU

Material hardness: 60 °Sh