

Flat suction cup (round)

<https://www.schmalz.com/10.01.01.00804>



SGAN 9 PU-60 M5-AG

Part no.: 10.01.01.00804

Homepage > Vacuum Technology for Automation > Vacuum Components > Vacuum Suction Cups > Flat Suction Cups (Round) > Flat Suction Cups

SGAN > SGAN 9 PU-60 M5-AG

Flat suction cup (round) for particularly sensitive workpieces



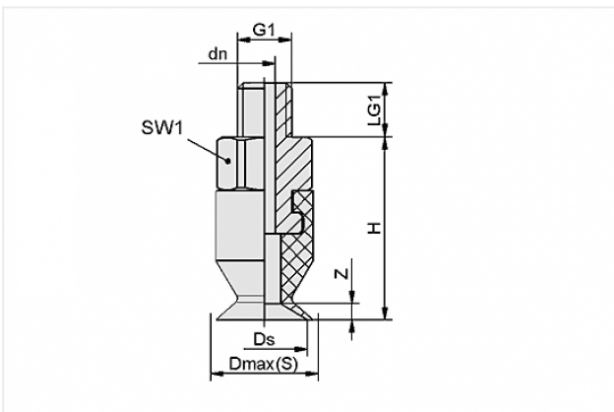
Size: 9

Suction cup material: Polyurethane PU

Material hardness: 60 °Sh

Vacuum connection: M5-M

Design Data



Attribute	Value
-----------	-------

dn	2 mm
----	------

Dmax(S)	9 mm
---------	------

Ds	8 mm
----	------

G1	M5-M
----	------

H	17 mm
---	-------

LG1	5 mm
-----	------

SW1	8 mm
-----	------

Z	1.5 mm
---	--------

Technical Data

Contact to Schmalz

J. Schmalz GmbH | Johannes-Schmalz-Straße, 72293 Glatten, Deutschland | +49 7443 2403-102 | customercenter@schmalz.de

Attribute	Value
Suction force	2.1 N
Volume	0.2 cm ³
Curve radius (min) (convex)	10 mm
Internal hose diameter (recom.)	2 mm
Size	9
Nipple	N 028
Suction cup material	Polyurethane PU
Material hardness	60 °Sh
Weight	2.2 g
Number of folds	0

Note:

- Suction force: The specified suction forces are theoretical values at a vacuum of -0.6 bar and with a smooth, dry workpiece surface - they do not include a safety factor
- Hose diameter: The recommended hose diameter refers to a hose length of approx. 2 m

Spare Parts



SA-NIP N028 M5-AG DN200

Part no. 10.01.01.00753

Suction cup connection nipple

Nipple: N 028

Thread G1: M5-M

Overall length: 14 mm

Fitting length: 5 mm

Nominal size: 2.00 mm

Material: Aluminium



SGA 9 PU-60 N028

Part no. 10.01.01.00569

Flat suction cup (round)

Size: 9

Suction cup material: Polyurethane PU

Material hardness: 60 °Sh