

Bellows suction cups (round)

PSPF 53 SI-30/55 G3/8-AG

Part no...:10.01.06.05607

<https://www.schmalz.com/10.01.06.05607>

Home > Vacuum Technology for Automation > Vacuum Components > Vacuum Suction Cups > Suction Cups for the Packaging Industry > Bellows Suction Cups PSPF > PSPF 53 SI-30/55 G3/8-AG

2K bellow suction cup (round) for thin, unstable and liquid-filled pouch packages



Size: 53

Suction cup material: Silicone SI

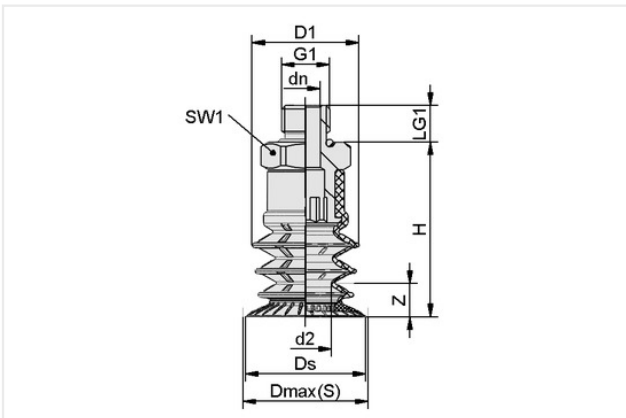
Material hardness [Shore A]: 30 Shore A

Material hardness: 55 Shore A

Vacuum connection: G3/8"-M

Number of folds: 3.5

Design Data



Attribute	Value
Z (Stroke)	25.30 mm
d2	22.40 mm
dn	10.30 mm
Dmax(S)	54.50 mm
Ds	53 mm
G1	G3/8"-M
G1	G3/8-AG
H	63.50 mm
LG1	10 mm
SW1	27 mm

Technical Data

Attribute	Value
Number of folds	3.50
Size	53
Suction cup material	Silicone SI
Suction force (-600mbar)	61 N
Product family	PSPF

Bellows suction cups (round)

PSPF 53 SI-30/55 G3/8-AG

Part no.:10.01.06.05607

<https://www.schmalz.com/10.01.06.05607>

Spare parts



PSPF 53 SI-30/55 SC090

Part no.:10.01.06.05505

Size: 53

Suction cup material: Silicone SI

Material hardness [Shore A]: 30 Shore A

Material hardness: 55 Shore A

Material characteristics: FDA-compatible

Number of folds: 3.5



SC 090 G3/8-AG

Part no.:10.01.06.02791

Connection geometry: 090

Vacuum connection: G3/8"-M

Length L1: 33.5 mm

Fitting length: 7.5 mm

Nominal diameter dn: 10.3 mm