

## Bellows suction cups (round)

PSPF 43 SI-30/55 G1/8-IG

Part no...:10.01.06.05596

<https://www.schmalz.com/10.01.06.05596>

Home > Vacuum Technology for Automation > Vacuum Components > Vacuum Suction Cups > Suction Cups for the Packaging Industry > Bellows Suction Cups PSPF > PSPF 43 SI-30/55 G1/8-IG

### 2K bellow suction cup (round) for thin, unstable and liquid-filled pouch packages



Size: 43

Suction cup material: Silicone SI

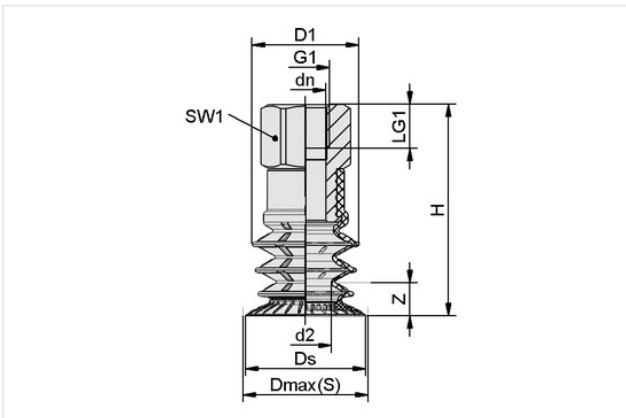
Material hardness [Shore A]: 30 Shore A

Material hardness: 55 Shore A

Vacuum connection: G1/8"-F

Number of folds: 3.5

### Design Data



Attribute	Value
Z (Stroke)	19.30 mm
d2	18.20 mm
dn	8.60 mm
Dmax(S)	43.50 mm
Ds	43 mm
G1	G1/8"-F
G1	G1/8-IG
H	64.10 mm
LG1	12 mm
SW1	22 mm

### Technical Data

Attribute	Value
Number of folds	3.50
Size	43
Suction cup material	Silicone SI
Suction force (-600mbar)	40 N
Product family	PSPF

## Bellows suction cups (round)

PSPF 43 SI-30/55 G1/8-IG

Part no.:10.01.06.05596

<https://www.schmalz.com/10.01.06.05596>

### Spare parts



#### PSPF 43 SI-30/55 SC080

Part no.:10.01.06.05244

Size: 43

Suction cup material: Silicone SI

Material hardness [Shore A]: 30 Shore A

Material hardness: 55 Shore A

Material characteristics: FDA-compatible

Number of folds: 3.5



#### SC 080 G1/8-IG

Part no.:10.01.06.03270

Connection geometry: 080

Vacuum connection: G1/8"-F

Length L1: 32 mm

Fitting length: 17.5 mm

Nominal diameter dn: 8.6 mm