

## Bellows suction cups (round)

PSPF 33 SI-30/55 G1/4-AG

Part no...:10.01.06.05589

<https://www.schmalz.com/10.01.06.05589>

Home > Vacuum Technology for Automation > Vacuum Components > Vacuum Suction Cups > Suction Cups for the Packaging Industry > Bellows Suction Cups PSPF > PSPF 33 SI-30/55 G1/4-AG

### 2K bellow suction cup (round) for thin, unstable and liquid-filled pouch packages



Size: 33

Suction cup material: Silicone SI

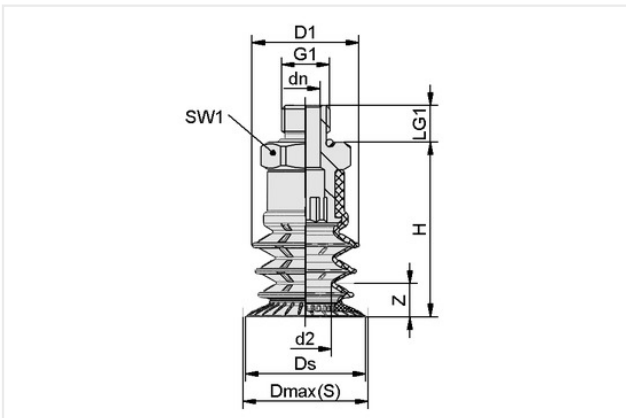
Material hardness [Shore A]: 30 Shore A

Material hardness: 55 Shore A

Vacuum connection: G1/4"-M

Number of folds: 3.5

### Design Data



Attribute	Value
Z (Stroke)	14.50 mm
d2	14 mm
dn	8 mm
Dmax(S)	33.50 mm
Ds	33 mm
G1	G1/4"-M
G1	G1/4-AG
H	47.50 mm
LG1	10 mm
SW1	22 mm

### Technical Data

Attribute	Value
Number of folds	3.50
Size	33
Suction cup material	Silicone SI
Suction force (-600mbar)	24 N
Product family	PSPF

### Contact Schmalz

J. Schmalz GmbH | Johannes-Schmalz-Str.1, 72293 Glatten, Germany | +49 7443 2403-102 | [customercenter@schmalz.de](mailto:customercenter@schmalz.de)

## Bellows suction cups (round)

PSPF 33 SI-30/55 G1/4-AG

Part no.:10.01.06.05589

<https://www.schmalz.com/10.01.06.05589>

### Spare parts



#### PSPF 33 SI-30/55 SC080

Part no.:10.01.06.05502

Size: 33

Suction cup material: Silicone SI

Material hardness [Shore A]: 30 Shore A

Material hardness: 55 Shore A

Material characteristics: FDA-compatible

Number of folds: 3.5



#### SC 080 G1/4-AG

Part no.:10.01.06.03268

Connection geometry: 080

Vacuum connection: G1/4"-M

Length L1: 32 mm

Fitting length: 7.5 mm

Nominal diameter dn: 8 mm