

## Bellows suction cups (round)

PSPF 33 SI-30/55 G1/8-AG

Part no...:10.01.06.05586

<https://www.schmalz.com/10.01.06.05586>

Home > Vacuum Technology for Automation > Vacuum Components > Vacuum Suction Cups > Suction Cups for the Packaging Industry > Bellows Suction Cups PSPF > PSPF 33 SI-30/55 G1/8-AG

### 2K bellow suction cup (round) for thin, unstable and liquid-filled pouch packages



Size: 33

Suction cup material: Silicone SI

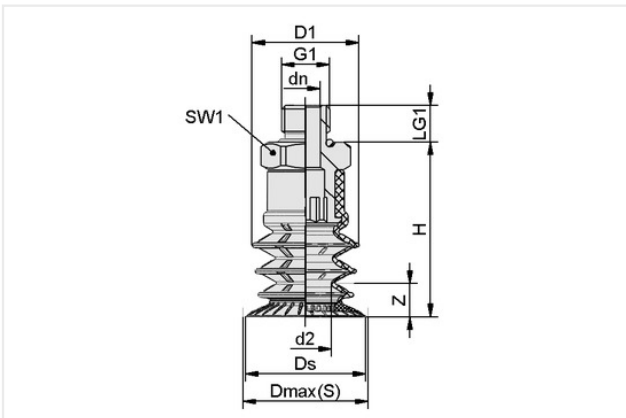
Material hardness [Shore A]: 30 Shore A

Material hardness: 55 Shore A

Vacuum connection: G1/8"-M

Number of folds: 3.5

### Design Data



| Attribute  | Value    |
|------------|----------|
| Z (Stroke) | 14.50 mm |
| d2         | 14 mm    |
| dn         | 4 mm     |
| Dmax(S)    | 33.50 mm |
| Ds         | 33 mm    |
| G1         | G1/8"-M  |
| G1         | G1/8-AG  |
| H          | 47.50 mm |
| LG1        | 7.50 mm  |
| SW1        | 22 mm    |

### Technical Data

| Attribute                | Value       |
|--------------------------|-------------|
| Number of folds          | 3.50        |
| Size                     | 33          |
| Suction cup material     | Silicone SI |
| Suction force (-600mbar) | 24 N        |
| Product family           | PSPF        |

## Bellows suction cups (round)

PSPF 33 SI-30/55 G1/8-AG

Part no.:10.01.06.05586

<https://www.schmalz.com/10.01.06.05586>

### Spare parts



#### PSPF 33 SI-30/55 SC080

Part no.:10.01.06.05502

Size: 33

Suction cup material: Silicone SI

Material hardness [Shore A]: 30 Shore A

Material hardness: 55 Shore A

Material characteristics: FDA-compatible

Number of folds: 3.5



#### SC 080 G1/8-AG

Part no.:10.01.06.03142

Connection geometry: 080

Vacuum connection: G1/8"-M

Length L1: 28 mm

Fitting length: 7.5 mm

Nominal diameter dn: 4 mm