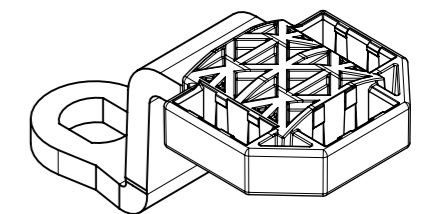
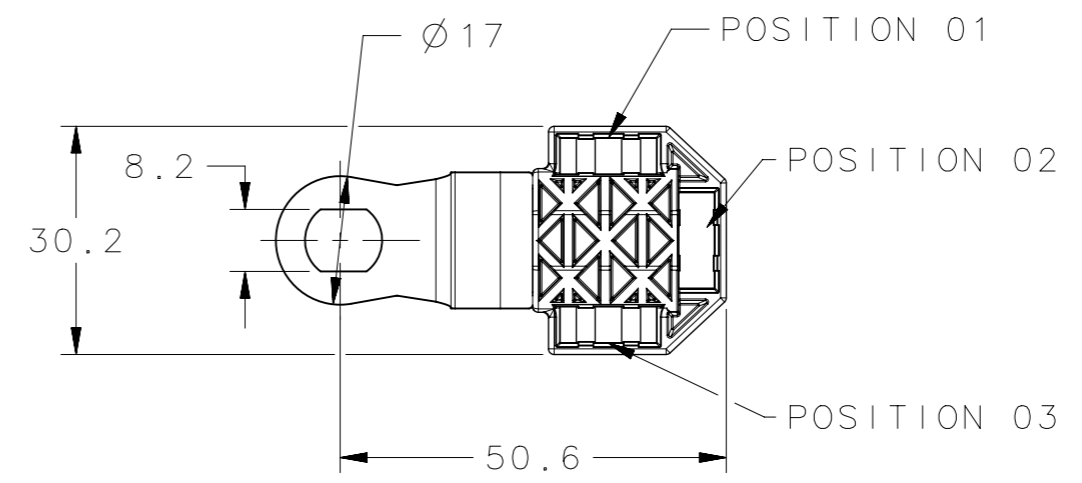


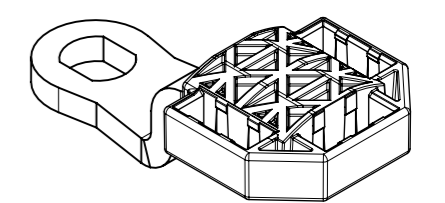
REVISION HISTORY			
REV	DATE	BY	DESCRIPTION
D	16NOV2021	ZAM/MLL	PRN: P2021-1638

NOTE:
 A. FOR USE WITH THE E5-6-1 ADJUSTABLE LATCH AND ES-01-1/ES-01-2 UNIVERSAL LATCH SENSOR.
 B. SEE J-ES-01-1 FOR ADDITIONAL USE INFORMATION
 C. ALL MATERIALS SATISFY RoHS DIRECTIVE AND REACH REGULATION.

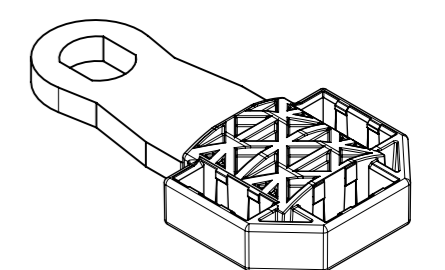
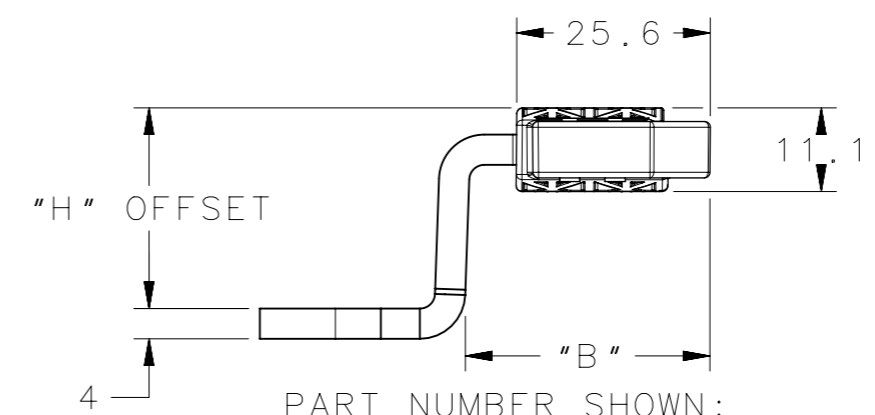
CAM FOR USE WITH E5 UNIVERSAL LATCH SENSOR PART NUMBER TABLE (ORDER SEPARATELY FROM LATCH)				
"H" OFFSET	"B"	OFFSET	MAGNET POSITION	PART NUMBER
26.5	32.4	DEEP OFFSET CAM	POSITION 1	E5-4001-M01
			POSITION 2	E5-4001-M02
			POSITION 3	E5-4001-M03
15	27.6	OFFSET CAM	POSITION 1	E5-4002-M01
			POSITION 2	E5-4002-M02
			POSITION 3	E5-4002-M03
3.5	-	STRAIGHT CAM	POSITION 1	E5-4003-M01
			POSITION 2	E5-4003-M02
			POSITION 3	E5-4003-M03



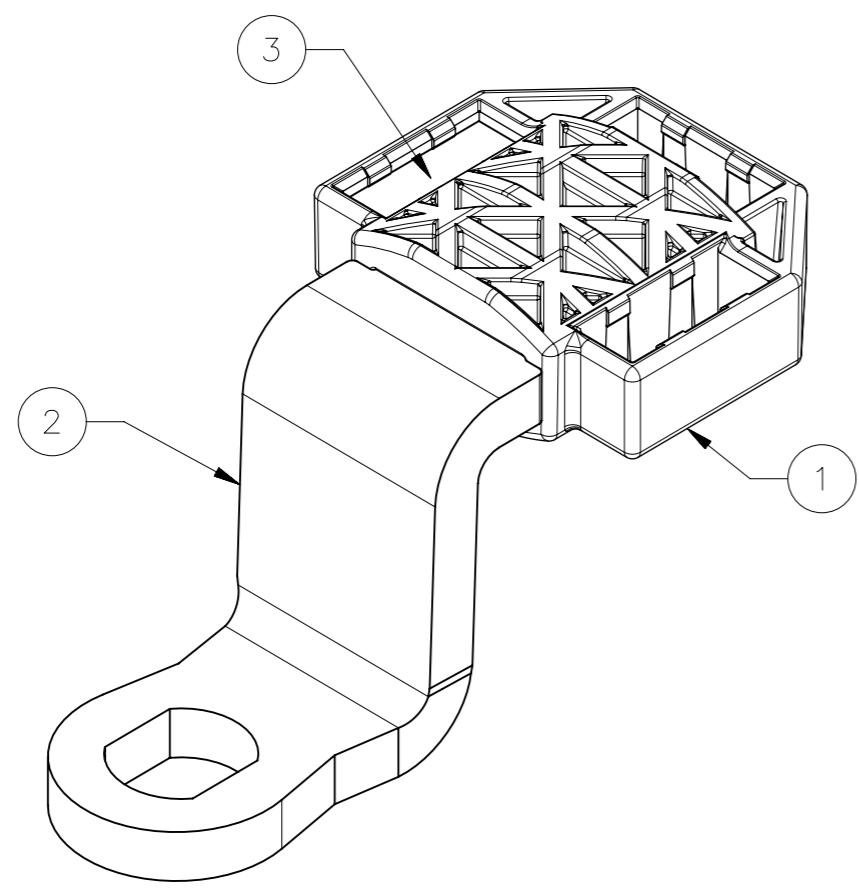
DEEP OFFSET, CAM



OFFSET, CAM



STRAIGHT, CAM



SCALE 2:1

NO.	PART NUMBER	QTY	TYPE OF COMPONENT	MATERIAL	FINISH
3	-	1	MAGNET	NdFeB	-
2	-	1	CAM	STEEL	ZINC PLATE PLUS BRIGHT CHROMATE
1	-	1	COVER	NYLON	BLACK
-	E5-400Y-MXX	-	CAM SUBASSEMBLY	-	-

CPB NUMBER 2019-1118	THIRD ANGLE PROJECTION				
SURFACE AREA	MILLIMETERS [IN]				
VOLUME	TOLERANCES UNLESS OTHERWISE NOTED	DESCRIPTION CAM SUBASSEMBLY WITH MAGNET E5-400Y-M			
PROPRIETARY ITEM	ALL DIMENSIONS WITHOUT TOLERANCES ARE FOR REFERENCE ONLY.	SIZE A3	SYSTEM NX	DWG NO. J-E5-4000-M	
EXCEPT FOR USES EXPRESSLY GRANTED IN WRITING, INFORMATION DISCLOSED HEREON IS CONFIDENTIAL AND ALL RIGHTS, PATENT AND OTHERWISE, ARE RESERVED BY SOUTHCO, INC.	PER ASME Y14.5M-1994	DRAWN BY ZAM/MLL	DATE 27APR2021	SCALE 1:1	SHEET 2 OF 2