



E5 Cam Latch

Zinc · Tool operated · Adjustable grip

- Single hole install
- Latched / unlatched indicator
- Easy grip adjustment
- Tool operated for security
- Sensor Cam Option - for monitoring door and latch status

Material and Finish

Zinc alloy, powder coated or chrome plated and steel, zinc plated

Performance Details

Maximum static load: 330 N (74 lbf)

Installation Notes

Position cam so latching function can be achieved comfortably by hand. Recommended tightening torque for mounting nut is 10 N·m (88 in·lbf) max, and jam nut is 7 N·m (62 in·lbf)

Sealing Notes

NEMA 4 / IP65 achieved using gasket supplied

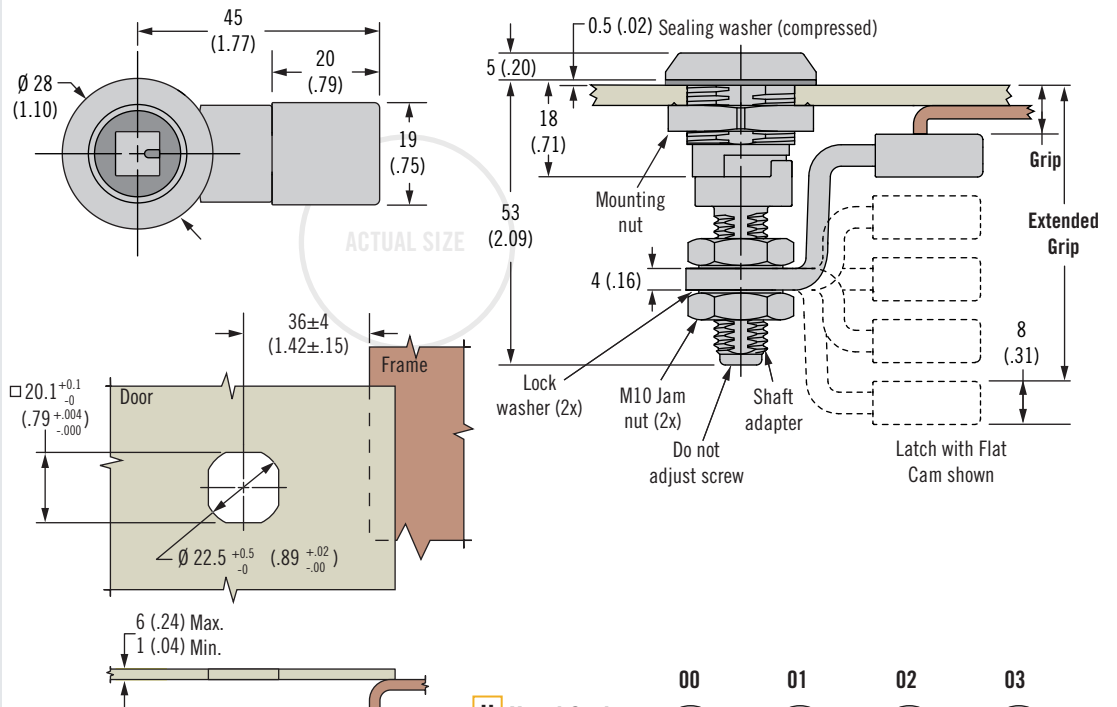
Keys and Accessories

See page 121 and 169-175

Part Number Selection

See table

Order latch and cam separately



H Head Styles

Latch Part Number (no cam)

E5 - 6 - H F - 01

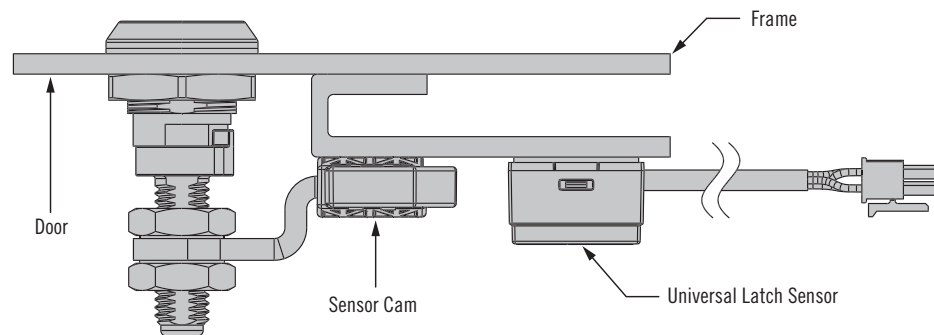
- F** Finish
- 2 Bright chrome
 - 5 Black powder coated

00	01	02	03
Slotted	8 (.32) Hex recess	7 (.28) Triangle	8 (.32) Triangle
04	05	06	07
7 (.28) Square	8 (.32) Square	3 (.11) Double bit	5 (.19) Double bit
08	13	19	21
8 (.32) Square recess	Bellcore 216	Bellcore electronics	Recessed slot (tamper resistant)
22			
Railway standard			

Latch Can Be Used With ES-01 Universal Latch Sensor for Monitoring Latch and Door Status

(see page 47A)

Requires: E5-6 Latch, E5-400X-XXX Sensor Cam and Universal Latch Sensor.



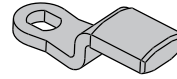
Dimensions in millimeters (inch) unless otherwise stated

E5 Cam Latch

Adjustable grip cam options



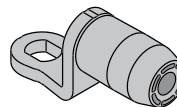
Protected Cam Part Number Table (order separately from latch)				
Minimum Grip +2(.08) - 0	Maximum Grip +2(.08) - 0	Offset	Cam Type	Part Number
5 (.20)	16.5 (.65)	Deep Cam	Forward	E5-4001
51 (2.01)	62.5 (2.46)	Deep Cam	Reversed	
16.5 (.65)	28 (1.10)	Cam	Forward	E5-4002
39.5 (1.56)	51 (2.01)	Cam	Reversed	
28 (1.10)	39.5 (1.56)	-	Straight Cam	E5-4003



Protected Cam

- Stable frame engagement
- Improved surface contact
- Minimal frame surface prep

Roller Cam Part Number Table (order separately from latch)				
Minimum Grip +2(.08) - 0	Maximum Grip +2(.08) - 0	Offset	Cam Type	Part Number
0 (0)	5 (.20)	Extra Deep Cam	Forward	E5-4505
54 (2.13)	62.5 (2.46)	Extra Deep Cam	Reversed	
0 (0)	8 (.31)	Deep Cam	Forward	E5-4506
45 (1.89)	58 (2.28)	Deep Cam	Reversed	
8 (.31)	18 (.71)	Medium Cam	Forward	E5-4507
38 (1.50)	48 (1.89)	Medium Cam	Reversed	
18 (.17)	28 (1.10)	Low Cam	Forward	E5-4508
28 (1.10)	38 (1.50)	Low Cam	Reversed	



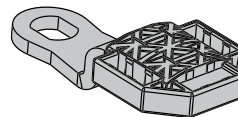
Roller Cam

- Reduce operating effort
- Minimize scratching frame finish
- Detented feel (with optional Keeper)

Sensor Cam Part Number Table (order separately from latch)					
Minimum Grip +2(.08) / - 0	Maximum Grip +2(.08) / - 0	Offset	Cam Type	Magnet Position	Part Number
3.5 (.14)	15 (.59)	Deep Cam	Forward	Position 1	E5-4001-M01
49.5 (1.95)	61 (2.40)		Reversed	Position 2	E5-4001-M02
				Position 3	E5-4001-M03
15 (.59)	26.5 (1.04)	Cam	Forward	Position 1	E5-4002-M01
38 (1.50)	49.5 (1.95)		Reversed	Position 2	E5-4002-M02
				Position 3	E5-4002-M03
26.5 (1.04)	38 (1.50)	Straight Cam	-	Position 1	E5-4003-M01
				Position 2	E5-4003-M02
				Position 3	E5-4003-M03

Sensor Cam

- Stable frame engagement
- Improved surface contact
- Works with Southco ES-01 Universal Latch Sensor (page 47A)



- Single hole install
- Latched / unlatched indicator
- Easy grip adjustment
- Tool operated for security
- Sensor Cam Option - for monitoring door and latch status

Material and Finish

Zinc alloy, powder coated or chrome plated and steel, zinc plated

Performance Details

Maximum static load: 330 N (74 lbf)

Installation Notes

Position cam so latching function can be achieved comfortably by hand. Recommended tightening torque for mounting nut is 10 N·m (88 in·lbf) max, and jam nut is 7 N·m (62 in·lbf)

Sealing Notes

NEMA 4 / IP65 achieved using gasket supplied

Keys and Accessories

See page 121 and 169-175

Part Number Selection

See table

Order latch and cam separately

