

# ES Universal Latch Sensor

## Reed Switch Style

- Indicates Door AND latch Secure
- Integrated LED Provides Interior Illumination
- Contactless Sensor
- IP67 Sealed
- Use With E5 Adjustable Grip Cam Latch (pages 153-153A)
- Contact Southco for additional latch options

### Material and Finish

Switch Housing: Polycarbonate, Clear  
 Back Plate: PC/ABS, Black  
 Adhesive: Acrylic foam and acrylic adhesive

### Electronic Specifications

Supply Voltage: 12 VDC

Operating Temperature: -40°C to 80°C

Operating Humidity: 85% max No condensation

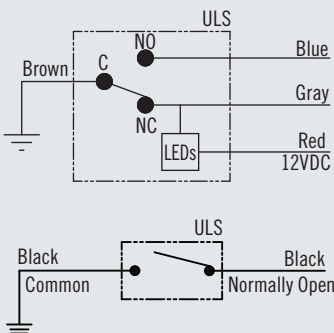
Visit [southco.com](http://southco.com) to download further installation and operation details

### Wire Color Code / Connector

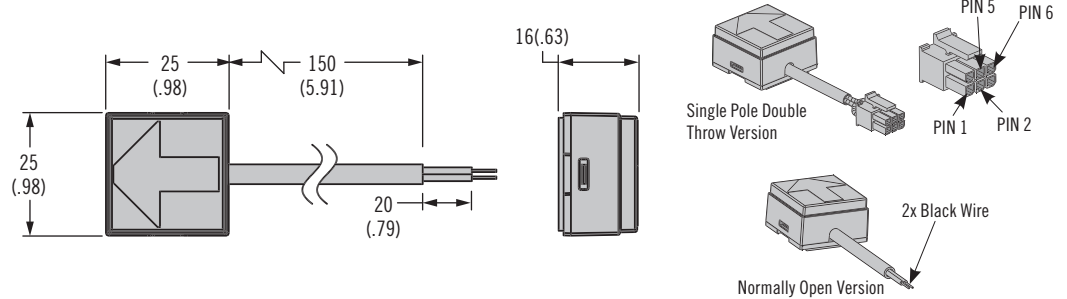
Pin Assignments (Single Pole Double Throw Version)

- PIN 1: Brown: Ground (-)
- PIN 2: Red: Power
- PIN 3: None
- PIN 4: None
- PIN 5: Blue: Normally Open
- PIN 6: Gray: Normally Closed

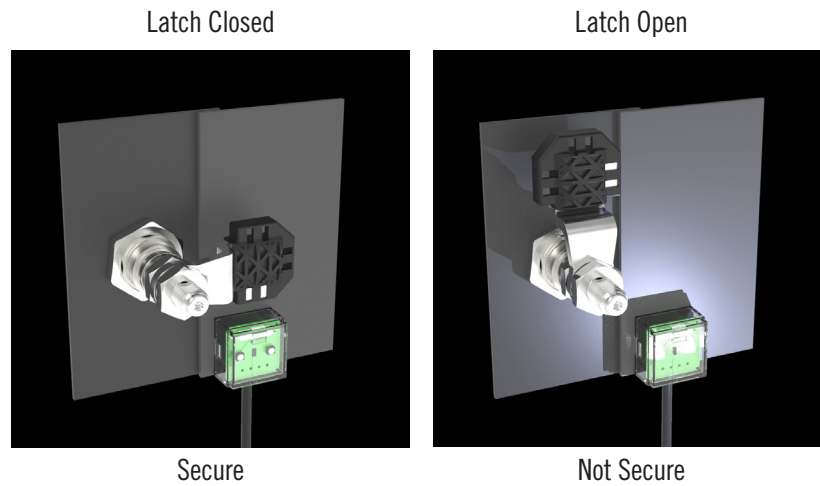
### SPDT (Single Pole Double Throw)



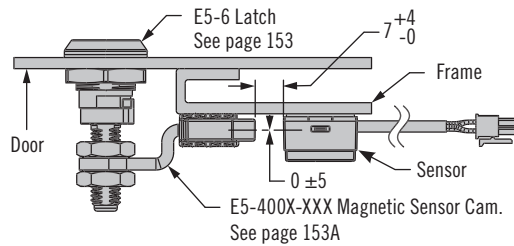
### Sensor Dimensions



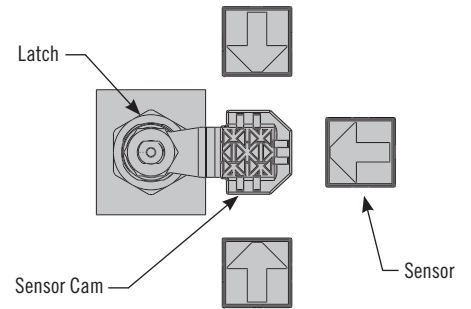
### Single Pole Double Throw Version Shown With Southco E5 Adjustable Grip Latch



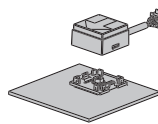
### Sensor Mounting Location



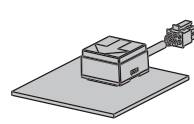
### Sensor Orientation Options



### Installation



Attach base to frame utilizing pressure sensitive adhesive. Optionally install M3 or #4-40 screw.



Snap housing onto base with arrow pointed to magnet location.

Switch Type	Integrated LED	Connector Type	Part Number
Normally Open	No	Stripped And Tinned	ES-01-0200
Single Pole Double Throw	Yes	Stripped And Tinned	ES-01-0100
Single Pole Double Throw	Yes	Molex Microfit 3.0 Series 6 Pin	ES-01-0121

Dimensions in millimeters (inch) unless otherwise stated