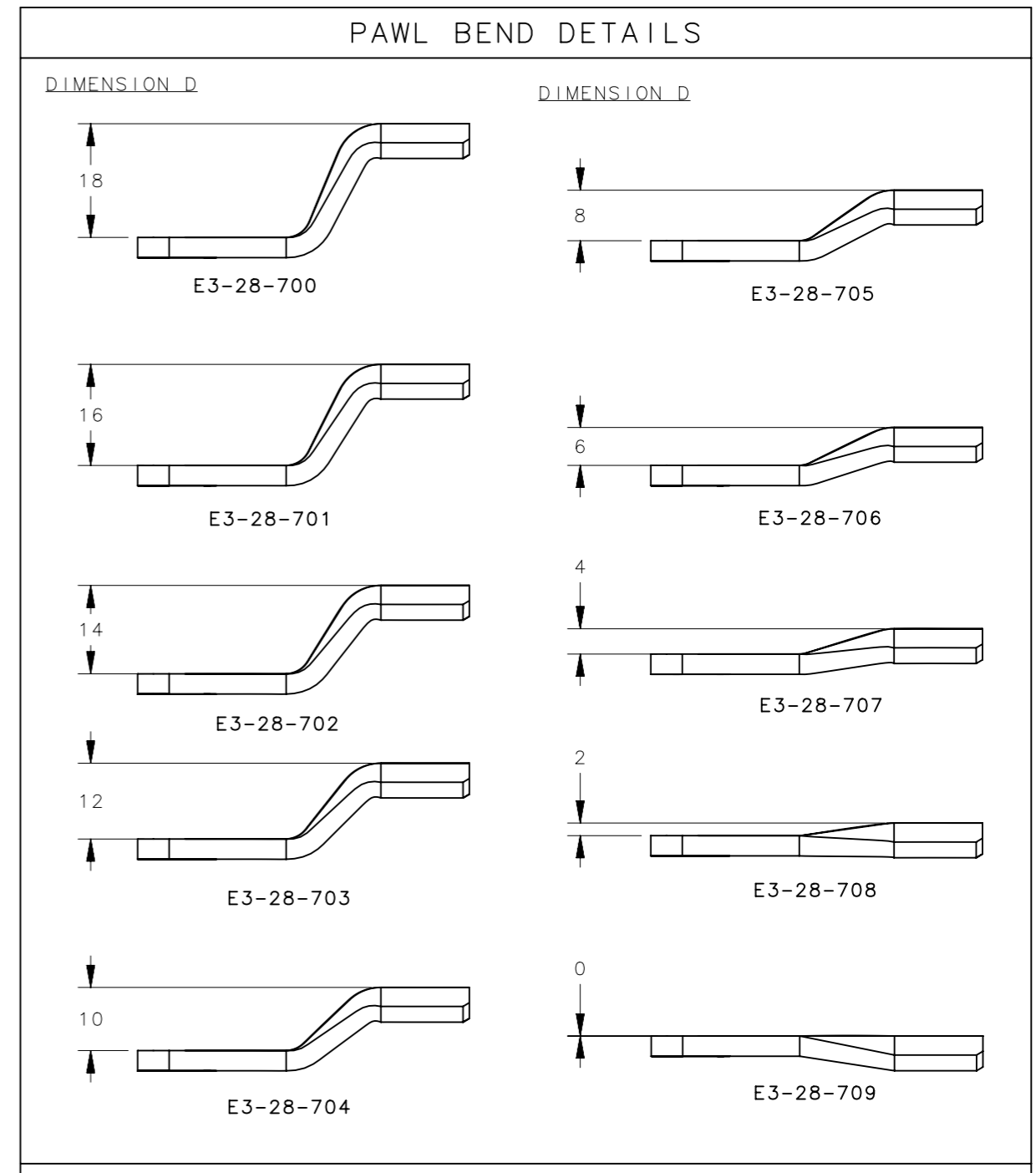
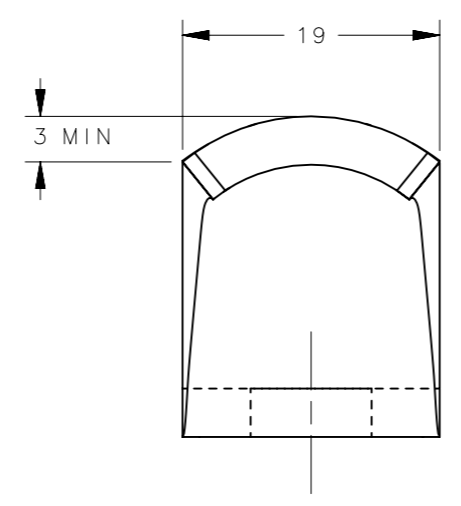
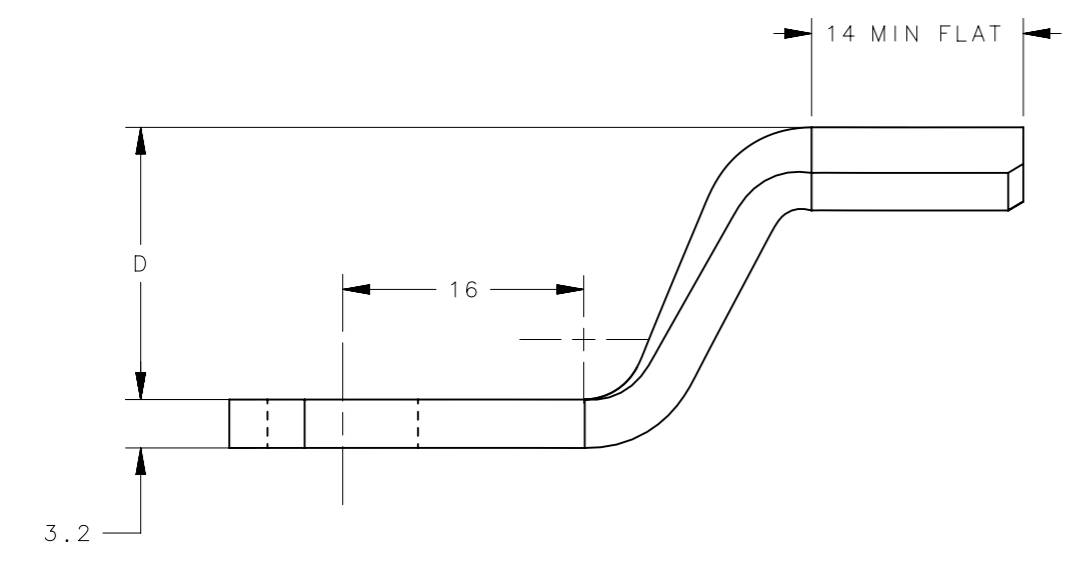
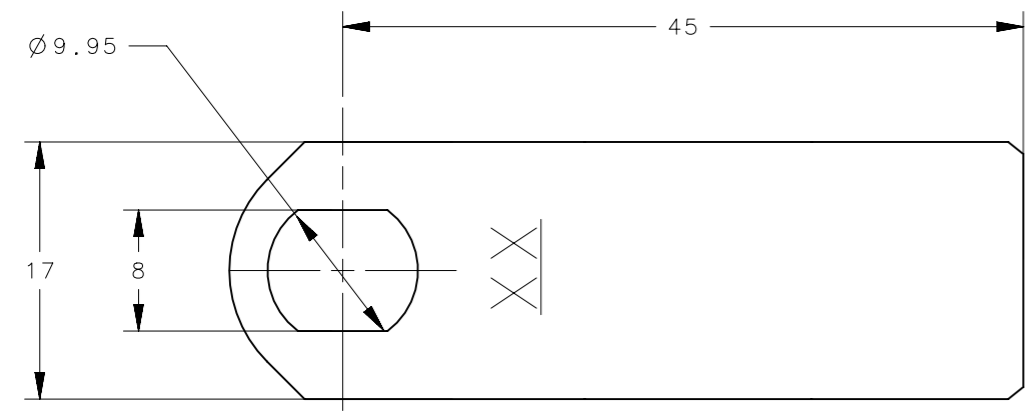


REVISION HISTORY			
REV	DATE	BY	DESCRIPTION
B	18OCT2022	SAK/DMS	PRN: P2022-1843



NOTE :-
 1. ALL DIMENSIONS SHOWN IN THIS SECTION OF THE DRAWING ARE TYPICAL OF ALL PAWLS.
 2. PART NUMBER SHOWN: E3-28-700-24

E3-28-7XX-24	PAWL	304 STAINLESS STEEL	PASSIVATED
PART NUMBER	TYPE OF COMPONENT	MATERIAL	FINISH
THIRD ANGLE PROJECTION		 CONNECT • CREATE • INNOVATE	
MILLIMETERS [IN]			
TOLERANCES UNLESS OTHERWISE NOTED		DESCRIPTION No. E3 PAWL - BENT UP POSITION	
ALL DIMENSIONS WITHOUT TOLERANCES ARE FOR REFERENCE ONLY.		SIZE A3	SYSTEM NX
PROPRIETARY ITEM <small>EXCEPT FOR USES EXPRESSLY GRANTED IN WRITING, INFORMATION DISCLOSED HEREON IS CONFIDENTIAL AND ALL RIGHTS, PATENT AND OTHERWISE, ARE RESERVED BY SOUTHCO, INC.</small>		DWG NO. J-E3-28-7-1	DATE 22JAN2008
PER ASME Y14.5M-1994		DRAWN BY MJS	SCALE 2:1
		SHEET 1 OF 1	