

# Flat suction cup (round)

<https://www.schmalz.com/10.01.01.00800>



## SGAN 7 PU-60 M5-AG

Part no.: 10.01.01.00800

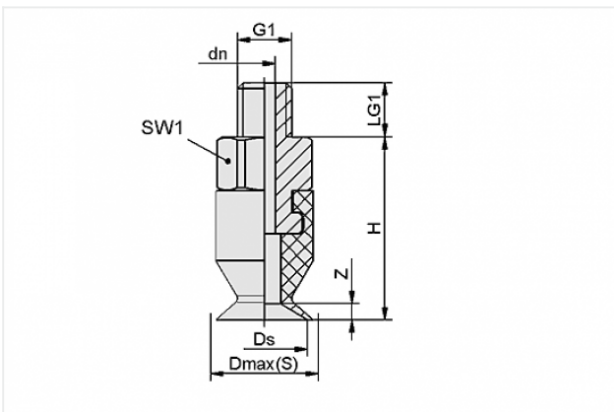
Homepage > Vacuum Technology for Automation > Vacuum Components > Vacuum Suction Cups > Flat Suction Cups (Round) > Flat Suction Cups  
SGAN > SGAN 7 PU-60 M5-AG

### Flat suction cup (round) for particularly sensitive workpieces



Size: 7  
Suction cup material: Polyurethane PU  
Material hardness: 60 °Sh  
Vacuum connection: M5-M

### Design Data



Attribute	Value
-----------	-------

dn	2 mm
Dmax(S)	7.5 mm
Ds	7 mm
G1	M5-M
H	17 mm
LG1	5 mm
SW1	8 mm
Z	1 mm

### Technical Data

#### Contact to Schmalz

J. Schmalz GmbH | Johannes-Schmalz-Straße, 72293 Glatten, Deutschland | +49 7443 2403-102 | [customercenter@schmalz.de](mailto:customercenter@schmalz.de)

Attribute	Value
Suction force	1.6 N
Volume	0.186 cm <sup>3</sup>
Curve radius (min) (convex)	7.5 mm
Internal hose diameter (recom.)	2 mm
Size	7
Nipple	N 028
Suction cup material	Polyurethane PU
Material hardness	60 °Sh
Weight	2.1 g
Number of folds	0

**Note:**

- Suction force: The specified suction forces are theoretical values at a vacuum of -0.6 bar and with a smooth, dry workpiece surface - they do not include a safety factor
- Hose diameter: The recommended hose diameter refers to a hose length of approx. 2 m

**Spare Parts**



**SA-NIP N028 M5-AG DN200**

Part no. 10.01.01.00753

Suction cup connection nipple

Nipple: N 028

Thread G1: M5-M

Overall length: 14 mm

Fitting length: 5 mm

Nominal size: 2.00 mm

Material: Aluminium



**SGA 7 PU-55 N028**

Part no. 10.01.01.00570

Flat suction cup (round)

Size: 7

Suction cup material: Polyurethane PU

Material hardness: 55 °Sh