

# Flat suction cup (round)

<https://www.schmalz.com/10.01.01.00525>



PFYN 95 VU1-72 G1/4-IG

Part no.: 10.01.01.00525

Homepage > Vacuum Technology for Automation > Vacuum Components > Vacuum Suction Cups > Flat Suction Cups (Round) > Flat Suction Cups

PFYN VU1 > PFYN 95 VU1-72 G1/4-IG

## Flat suction cup (round) for smooth or slightly rough surfaces



Size: 95

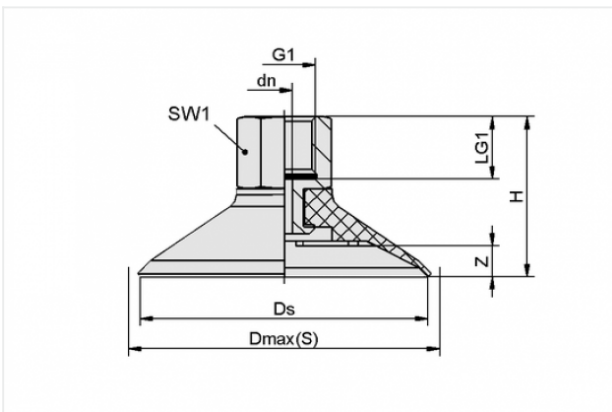
Suction cup material: Vulkollan VU1

Material hardness: 72 °Sh

Nipple material: Aluminium

Vacuum connection: G1/4-F

### Design Data



Attribute	Value
-----------	-------

Dmax(S)	101 mm
---------	--------

dn	6 mm
----	------

Ds	95 mm
----	-------

G1	G1/4"-F
----	---------

H	40 mm
---	-------

LG1	12 mm
-----	-------

SW1	22 mm
-----	-------

Z	6 mm
---	------

### Technical Data

#### Contact to Schmalz

J. Schmalz GmbH | Johannes-Schmalz-Straße, 72293 Glatten, Deutschland | +49 7443 2403-102 | [customercenter@schmalz.de](mailto:customercenter@schmalz.de)

Attribute	Value
Suction cup material	Vulkollan VU1
Size	95
Suction force	350 N
Volume	42 cm <sup>3</sup>
Curve radius (min) (convex)	140 mm
Internal hose diameter (recom.)	6 mm
Nipple	N 012
Material hardness	72 °Sh
Weight	77.7 g
Number of folds	0
Product family	PFYN

## Spare Parts



### SA-NIP N012 G1/4-IG DN600

Part no. 10.01.01.00528

Suction cup connection nipple

Nipple: N 012

Thread G1: G1/4-F

Overall length: 29.5 mm

Fitting length: 15 mm

Nominal size: 6,00 mm

Material: Aluminium

Spanner size SW2: 6 mm



**PFG 95 VU1-72 N012**

Part no. 10.01.01.00430

Flat suction cup (round) for smooth or slightly rough surfaces

Size: 95

Suction cup material: Vulkollan VU1

Material hardness: 72 °Sh