

Flat suction cup (round)

<https://www.schmalz.com/10.01.01.00523>



PFYN 95 VU1-72 G1/4-AG

Part no.: 10.01.01.00523

Homepage > Vacuum Technology for Automation > Vacuum Components > Vacuum Suction Cups > Flat Suction Cups (Round) > Flat Suction Cups

PFYN VU1 > PFYN 95 VU1-72 G1/4-AG

Flat suction cup (round) for smooth or slightly rough surfaces



Size: 95

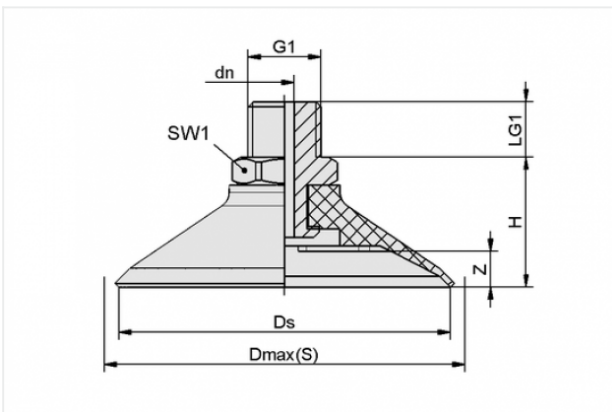
Suction cup material: Vulkollan VU1

Material hardness: 72 °Sh

Nipple material: Aluminium

Vacuum connection: G1/4-M

Design Data



| Attribute | Value |
|-----------|-------|
|-----------|-------|

| | |
|---------|--------|
| Dmax(S) | 101 mm |
|---------|--------|

| | |
|----|------|
| dn | 5 mm |
|----|------|

| | |
|----|-------|
| Ds | 95 mm |
|----|-------|

| | |
|----|---------|
| G1 | G1/4"-M |
|----|---------|

| | |
|---|-------|
| H | 30 mm |
|---|-------|

| | |
|-----|-------|
| LG1 | 10 mm |
|-----|-------|

| | |
|-----|-------|
| SW1 | 22 mm |
|-----|-------|

| | |
|---|------|
| Z | 6 mm |
|---|------|

Technical Data

Contact to Schmalz

J. Schmalz GmbH | Johannes-Schmalz-Straße, 72293 Glatten, Deutschland | +49 7443 2403-102 | customercenter@schmalz.de

| Attribute | Value |
|---------------------------------|--------------------|
| Suction cup material | Vulkollan VU1 |
| Size | 95 |
| Suction force | 350 N |
| Volume | 42 cm ³ |
| Curve radius (min) (convex) | 140 mm |
| Internal hose diameter (recom.) | 6 mm |
| Nipple | N 012 |
| Material hardness | 72 °Sh |
| Weight | 72.8 g |
| Number of folds | 0 |
| Product family | PFYN |

Spare Parts



SA-NIP N012 G1/4-AG DN500

Part no. 10.01.01.10664

Suction cup connection nipple

Nipple: N 012

Thread G1: G1/4-M

Overall length: 29.5 mm

Fitting length: 5 mm

Nominal size: 5,00 mm

Material: Aluminium

Spanner size SW2: 6 mm



PFG 95 VU1-72 N012

Part no. 10.01.01.00430

Flat suction cup (round) for smooth or slightly rough surfaces

Size: 95

Suction cup material: Vulkollan VU1

Material hardness: 72 °Sh