

Suction cup connection nipple

SA-NIP N012 G1/4-IG DN600

<https://www.schmalz.com/10.01.01.00528>



Part no.: 10.01.01.00528

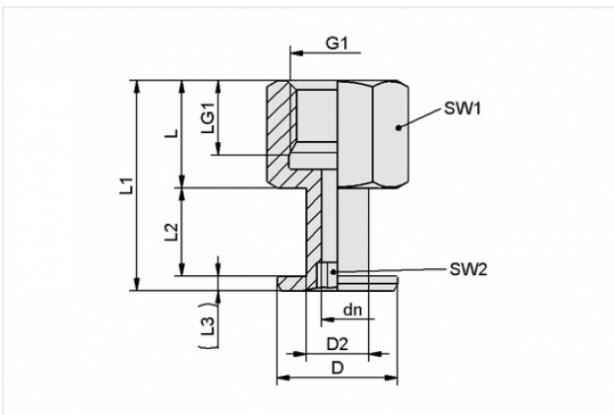
Homepage > Vacuum Technology for Automation > Vacuum Components > Vacuum Suction Cups > Suction Cups for Packaging > SA-NIP N012 G1/4-IG DN600

Suction cup connection nipple



Nipple: N 012
 Thread G1: G1/4-F
 Overall length: 29.5 mm
 Fitting length: 15 mm
 Nominal size: 6,00 mm
 Material: Aluminium
 Spanner size SW2: 6 mm

Design Data



Attribute	Value
dn	6 mm
D	18 mm
D2	13 mm
G1	G1/4"-F
L	15 mm
L1	29.5 mm
L2	11.5 mm
L3	3 mm
LG1	13 mm
SW1	22 mm
SW2	6 mm

Contact to Schmalz

J. Schmalz GmbH | Johannes-Schmalz-Straße, 72293 Glatten, Deutschland | +49 7443 2403-102 | customercenter@schmalz.de

Technical Data

Attribute	Value
Nipple	N 012
Material	Aluminium
Weight	18.3 g
