

# Flat suction cup (round)

<https://www.schmalz.com/10.01.01.00426>



PFG 80 VU1-72 N012

Part no.: 10.01.01.00426

Homepage > Vacuum Technology for Automation > Vacuum Components > Vacuum Suction Cups > Suction Cups for Packaging > PFG 80 VU1-72 N012

## Flat suction cup (round) for smooth or slightly rough surfaces

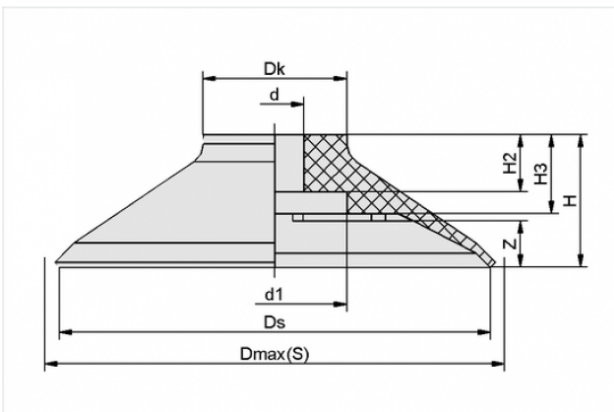


Size: 80

Suction cup material: Vulkollan VU1

Material hardness: 72 °Sh

### Design Data



Attribute	Value
-----------	-------

d	12 mm
---	-------

d1	25 mm
----	-------

Dk	52.3 mm
----	---------

Dmax(S)	86 mm
---------	-------

Ds	80 mm
----	-------

H	25 mm
---	-------

H2	12 mm
----	-------

H3	17.5 mm
----	---------

Z	6 mm
---	------

### Contact to Schmalz

J. Schmalz GmbH | Johannes-Schmalz-Straße, 72293 Glatten, Deutschland | +49 7443 2403-102 | [customercenter@schmalz.de](mailto:customercenter@schmalz.de)

## Technical Data

Attribute	Value
Size	80
Suction cup material	Vulkollan VU1
Suction force	260 N
Volume	31.392 cm <sup>3</sup>
Curve radius (min) (convex)	100 mm
Material hardness	72 °Sh
Weight	34.8 g
Number of folds	0
Product family	PFG

## Accessories



### SA-NIP N012 G1/4-AG DN500

Part no. 10.01.01.10664

Suction cup connection nipple

Nipple: N 012

Thread G1: G1/4-M

Overall length: 29.5 mm

Fitting length: 5 mm

Nominal size: 5,00 mm

Material: Aluminium

Spanner size SW2: 6 mm



**SA-NIP N012 G1/4-IG DN600**

Part no. 10.01.01.00528

Suction cup connection nipple

Nipple: N 012

Thread G1: G1/4-F

Overall length: 29.5 mm

Fitting length: 15 mm

Nominal size: 6,00 mm

Material: Aluminium

Spanner size SW2: 6 mm