

Suction cup connection nipple

SA-NIP N012 G1/4-AG DN500

<https://www.schmalz.com/10.01.01.10664>



Part no.: 10.01.01.10664

Homepage > Vacuum Technology for Automation > Vacuum Components > Vacuum Suction Cups > Suction Cups for Packaging > SA-NIP N012

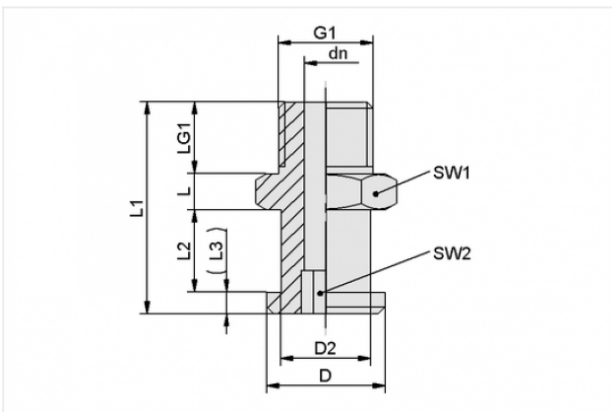
G1/4-AG DN500

Suction cup connection nipple



Nipple: N 012
Thread G1: G1/4-M
Overall length: 29.5 mm
Fitting length: 5 mm
Nominal size: 5,00 mm
Material: Aluminium
Spanner size SW2: 6 mm

Design Data



Attribute	Value
-----------	-------

dn	5 mm
----	------

D	18 mm
---	-------

D2	13 mm
----	-------

G1	G1/4"-M
----	---------

L	5 mm
---	------

L1	29.5 mm
----	---------

L2	11.5 mm
----	---------

L3	3 mm
----	------

LG1	10 mm
-----	-------

SW1	22 mm
-----	-------

SW2	6 mm
-----	------

Contact to Schmalz

J. Schmalz GmbH | Johannes-Schmalz-Straße, 72293 Glatten, Deutschland | +49 7443 2403-102 | customercenter@schmalz.de

Technical Data

Attribute	Value
Nipple	N 012
Material	Aluminium
Weight	13.9 g
