

# Flat suction cup (round)

<https://www.schmalz.com/10.01.01.00522>



## PFYN 80 VU1-72 G1/4-AG

Part no.: 10.01.01.00522

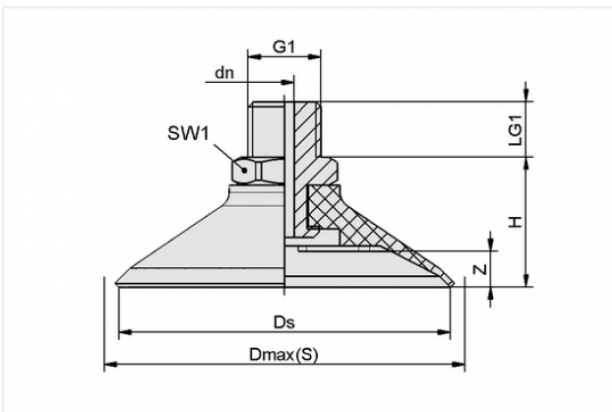
Homepage > Vacuum Technology for Automation > Vacuum Components > Vacuum Suction Cups > Suction Cups for Handling Sheet Metal > Flat Suction Cups PFYN VU1 > PFYN 80 VU1-72 G1/4-AG

### Flat suction cup (round) for smooth or slightly rough surfaces



Size: 80  
Suction cup material: Vulkollan VU1  
Material hardness: 72 °Sh  
Nipple material: Aluminium  
Vacuum connection: G1/4-M

#### Design Data



Attribute	Value
-----------	-------

Dmax(S)	86 mm
---------	-------

dn	6 mm
----	------

Ds	80 mm
----	-------

G1	G1/4"-M
----	---------

H	30 mm
---	-------

LG1	10 mm
-----	-------

SW1	22 mm
-----	-------

Z	6 mm
---	------

#### Technical Data

#### Contact to Schmalz

J. Schmalz GmbH | Johannes-Schmalz-Straße, 72293 Glatten, Deutschland | +49 7443 2403-102 | [customercenter@schmalz.de](mailto:customercenter@schmalz.de)

Attribute	Value
Suction cup material	Vulkollan VU1
Size	80
Suction force	260 N
Volume	30 cm <sup>3</sup>
Curve radius (min) (convex)	100 mm
Internal hose diameter (recom.)	6 mm
Nipple	N 012
Material hardness	72 °Sh
Weight	47.2 g
Number of folds	0
Product family	PFYN

## Spare Parts



### SA-NIP N012 G1/4-AG DN500

Part no. 10.01.01.10664

Suction cup connection nipple

Nipple: N 012

Thread G1: G1/4-M

Overall length: 29.5 mm

Fitting length: 5 mm

Nominal size: 5,00 mm

Material: Aluminium

Spanner size SW2: 6 mm



**PFG 80 VU1-72 N012**

Part no. 10.01.01.00426

Flat suction cup (round) for smooth or slightly rough surfaces

Size: 80

Suction cup material: Vulkollan VU1

Material hardness: 72 °Sh