

# Flat suction cup (round)

<https://www.schmalz.com/10.01.01.00609>



PFYN 60 VU1-72 G1/4-IG

Part no.: 10.01.01.00609

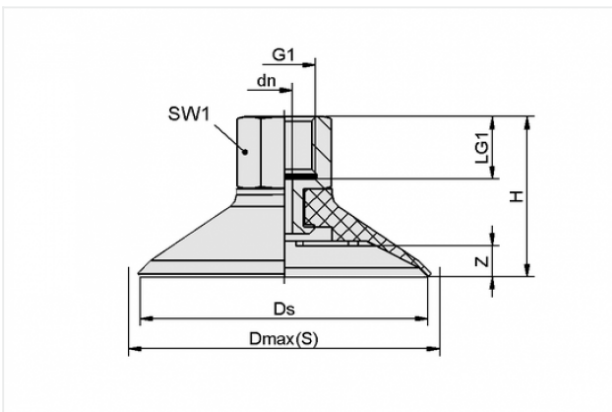
Homepage > Vacuum Technology for Automation > Vacuum Components > Vacuum Suction Cups > Suction Cups for Handling Sheet Metal > Flat Suction Cups PFYN VU1 > PFYN 60 VU1-72 G1/4-IG

## Flat suction cup (round) for smooth or slightly rough surfaces



Size: 60  
Suction cup material: Vulkollan VU1  
Material hardness: 72 °Sh  
Nipple material: Aluminium  
Vacuum connection: G1/4-F

### Design Data



Attribute	Value
-----------	-------

Dmax(S)	67 mm
---------	-------

dn	3.5 mm
----	--------

Ds	60 mm
----	-------

G1	G1/4"-F
----	---------

H	33.5 mm
---	---------

LG1	12 mm
-----	-------

SW1	17 mm
-----	-------

Z	6 mm
---	------

### Technical Data

#### Contact to Schmalz

J. Schmalz GmbH | Johannes-Schmalz-Straße, 72293 Glatten, Deutschland | +49 7443 2403-102 | [customercenter@schmalz.de](mailto:customercenter@schmalz.de)

Attribute	Value
Suction cup material	Vulkollan VU1
Size	60
Suction force	130 N
Volume	15 cm <sup>3</sup>
Curve radius (min) (convex)	75 mm
Internal hose diameter (recom.)	6 mm
Nipple	N 011
Material hardness	72 °Sh
Weight	20.4 g
Number of folds	0
Product family	PFYN

## Spare Parts



### SA-NIP N011 G1/4-IG DN350

Part no. 10.01.01.00412

Suction cup connection nipple

Nipple: N 011

Thread G1: G1/4-F

Overall length: 24.5 mm

Fitting length: 15 mm

Nominal size: 3,50 mm

Material: Aluminium

Spanner size SW2: 5 mm



**PFG 60 VU1-72 N011**

Part no. 10.01.01.00606

Flat suction cup (round) for smooth or slightly rough surfaces

Size: 60

Suction cup material: Vulkollan VU1

Material hardness: 72 °Sh