

Flat suction cup (round)

PFG 60 VU1-72 N011

Part no.: 10.01.01.00606

<https://www.schmalz.com/10.01.01.00606>



Homepage > Vacuum Technology for Automation > Vacuum Components > Vacuum Suction Cups > Suction Cups for Packaging > PFG 60 VU1-72 N011

Flat suction cup (round) for smooth or slightly rough surfaces

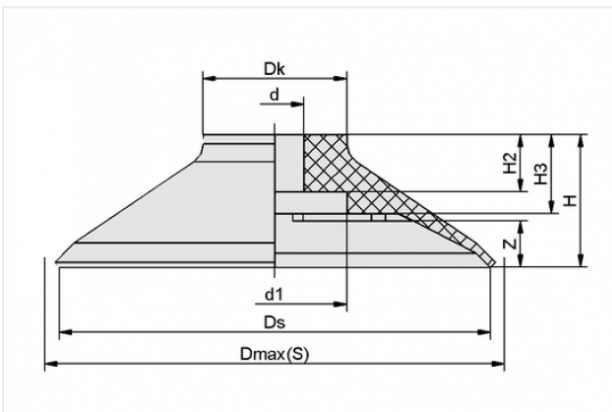


Size: 60

Suction cup material: Vulkollan VU1

Material hardness: 72 °Sh

Design Data



Attribute	Value
-----------	-------

d	8 mm
---	------

d1	20 mm
----	-------

Dk	20 mm
----	-------

Dmax(S)	67 mm
---------	-------

Ds	60 mm
----	-------

H	18.5 mm
---	---------

H2	8 mm
----	------

H3	11 mm
----	-------

Z	6.5 mm
---	--------

Contact to Schmalz

J. Schmalz GmbH | Johannes-Schmalz-Straße, 72293 Glatten, Deutschland | +49 7443 2403-102 | customercenter@schmalz.de

Technical Data

Attribute	Value
Size	60
Suction cup material	Vulkollan VU1
Suction force	130 N
Volume	15.154 cm ³
Curve radius (min) (convex)	75 mm
Material hardness	72 °Sh
Weight	12.5 g
Number of folds	0
Product family	PFG

Accessories



SA-NIP N011 G1/4-AG DN350

Part no. 10.01.01.10663

Suction cup connection nipple

Nipple: N 011

Thread G1: G1/4-M

Overall length: 24.5 mm

Fitting length: 5 mm

Nominal size: 3,50 mm

Material: Aluminium

Spanner size SW2: 5 mm



SA-NIP N011 G1/4-IG DN350

Part no. 10.01.01.00412

Suction cup connection nipple

Nipple: N 011

Thread G1: G1/4-F

Overall length: 24.5 mm

Fitting length: 15 mm

Nominal size: 3,50 mm

Material: Aluminium

Spanner size SW2: 5 mm