

Flat suction cup (round)

<https://www.schmalz.com/10.01.01.00547>



PFYN 50 VU1-72 G1/4-IG

Part no.: 10.01.01.00547

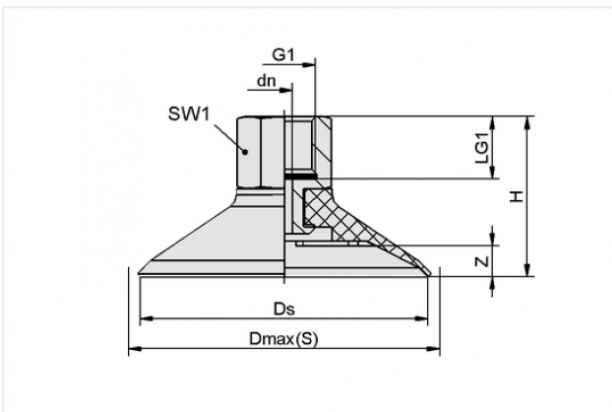
Homepage > Vacuum Technology for Automation > Vacuum Components > Vacuum Suction Cups > Suction Cups for Handling Sheet Metal > Flat Suction Cups PFYN VU1 > PFYN 50 VU1-72 G1/4-IG

Flat suction cup (round) for smooth or slightly rough surfaces



Size: 50
Suction cup material: Vulkollan VU1
Material hardness: 72 °Sh
Nipple material: Aluminium
Vacuum connection: G1/4-F

Design Data



Attribute	Value
-----------	-------

Dmax(S)	53 mm
dn	3.5 mm
Ds	50 mm
G1	G1/4"-F
H	32 mm
LG1	12 mm
SW1	17 mm
Z	4.5 mm

Technical Data

Contact to Schmalz

J. Schmalz GmbH | Johannes-Schmalz-Straße, 72293 Glatten, Deutschland | +49 7443 2403-102 | customercenter@schmalz.de

Attribute	Value
Suction cup material	Vulkollan VU1
Size	50
Suction force	95 N
Volume	6 cm ³
Curve radius (min) (convex)	75 mm
Internal hose diameter (recom.)	6 mm
Nipple	N 011
Material hardness	72 °Sh
Weight	14.2 g
Number of folds	0
Product family	PFYN

Spare Parts



SA-NIP N011 G1/4-IG DN350

Part no. 10.01.01.00412

Suction cup connection nipple

Nipple: N 011

Thread G1: G1/4-F

Overall length: 24.5 mm

Fitting length: 15 mm

Nominal size: 3,50 mm

Material: Aluminium

Spanner size SW2: 5 mm



PFG 50 VU1-72 N011

Part no. 10.01.01.00424

Flat suction cup (round) for smooth or slightly rough surfaces

Size: 50

Suction cup material: Vulkollan VU1

Material hardness: 72 °Sh