

Suction cup connection nipple

SA-NIP N011 G1/4-AG DN350

<https://www.schmalz.com/10.01.01.10663>



Part no.: 10.01.01.10663

Homepage > Vacuum Technology for Automation > Vacuum Components > Vacuum Suction Cups > Suction Cups for Packaging > SA-NIP N011

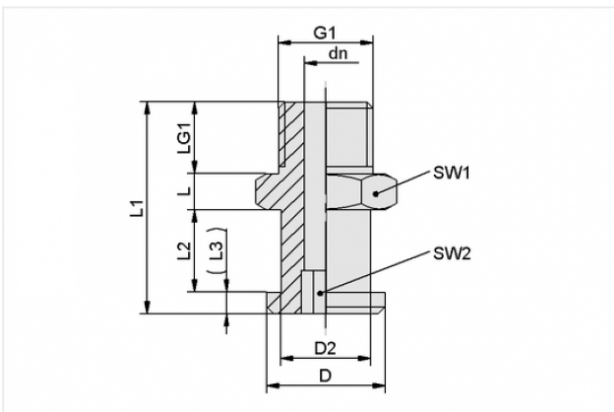
G1/4-AG DN350

Suction cup connection nipple



Nipple: N 011
 Thread G1: G1/4-M
 Overall length: 24.5 mm
 Fitting length: 5 mm
 Nominal size: 3,50 mm
 Material: Aluminium
 Spanner size SW2: 5 mm

Design Data



Attribute	Value
dn	3.5 mm
D	12.5 mm
D2	8.5 mm
G1	G1/4"-M
L	5 mm
L1	24.5 mm
L2	7.5 mm
L3	2 mm
LG1	10 mm
SW1	17 mm
SW2	5 mm

Contact to Schmalz

J. Schmalz GmbH | Johannes-Schmalz-Straße, 72293 Glatten, Deutschland | +49 7443 2403-102 | customercenter@schmalz.de

Technical Data

Attribute	Value
Nipple	N 011
Material	Aluminium
Weight	7.8 g
