

Flat suction cup (round)

<https://www.schmalz.com/10.01.01.00558>



PFYN 30 VU1-72 G1/8-IG

Part no.: 10.01.01.00558

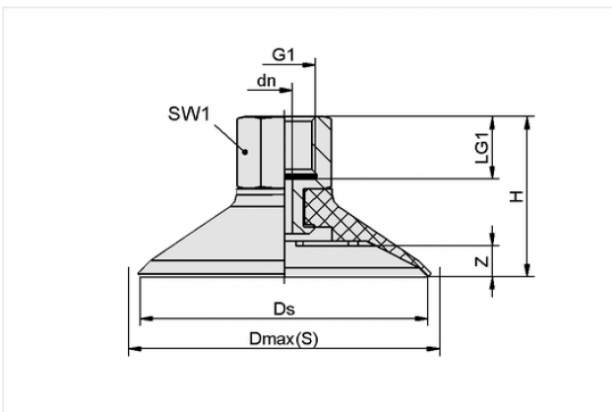
Homepage > Vacuum Technology for Automation > Vacuum Components > Vacuum Suction Cups > Suction Cups for Handling Sheet Metal > Flat Suction Cups PFYN VU1 > PFYN 30 VU1-72 G1/8-IG

Flat suction cup (round) for smooth or slightly rough surfaces



Size: 30
Suction cup material: Vulkollan VU1
Material hardness: 72 °Sh
Nipple material: Aluminium
Vacuum connection: G1/8-F

Design Data



Attribute	Value
-----------	-------

Dmax(S)	31.5 mm
---------	---------

dn	2 mm
----	------

Ds	30 mm
----	-------

G1	G1/8"-F
----	---------

H	29 mm
---	-------

LG1	9 mm
-----	------

SW1	14 mm
-----	-------

Z	3 mm
---	------

Technical Data

Contact to Schmalz

J. Schmalz GmbH | Johannes-Schmalz-Straße, 72293 Glatten, Deutschland | +49 7443 2403-102 | customercenter@schmalz.de

Attribute	Value
Suction cup material	Vulkollan VU1
Size	30
Suction force	32 N
Volume	1.7 cm ³
Curve radius (min) (convex)	30 mm
Internal hose diameter (recom.)	4 mm
Nipple	N 007
Material hardness	72 °Sh
Weight	8 g
Number of folds	0
Product family	PFYN

Spare Parts



SA-NIP N007 G1/8-IG DN350

Part no. 10.01.01.03523

Suction cup connection nipple

Nipple: N 007

Thread G1: G1/8-F

Overall length: 24.5 mm

Fitting length: 16 mm

Nominal size: 3,50 mm

Material: Aluminium

Spanner size SW2: 4 mm



PFG 30 VU1-72 N007

Part no. 10.01.01.00549

Flat suction cup (round) for smooth or slightly rough surfaces

Size: 30

Suction cup material: Vulkollan VU1

Material hardness: 72 °Sh